



Dune HD Base 3.0



Quick Start Guide
Guide d'utilisation rapide
Schnellstartanleitung
Snelstart gids
Guía de Instalación
Краткое руководство
Короткий посібник

English • Français • Deutsch • Nederlandse • Español • Русский • Українська

Table of Contents

| | |
|----|---|
| 4 | English Quick Start Guide |
| 10 | Français Guide d'utilisation rapide |
| 16 | Deutsch Schnellstartanleitung |
| 22 | Nederlandse Snelstart gids |
| 28 | Español Guía de Instalación |
| 34 | Русский Краткое руководство |
| 40 | Українська Короткий посібник |

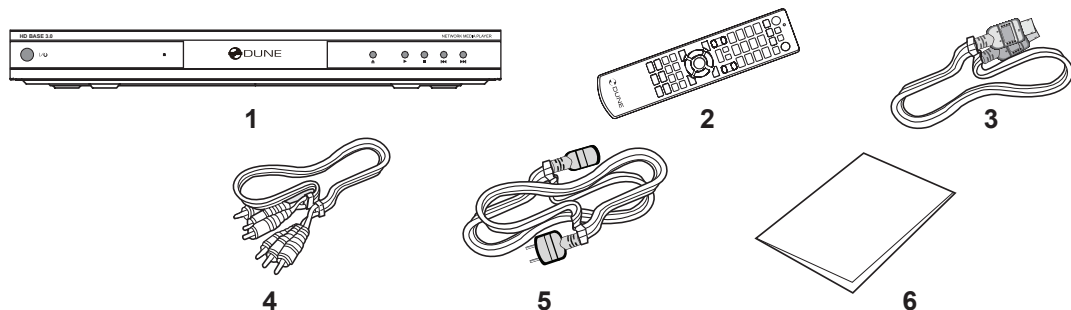
Introduction

Dune HD Base 3.0 is an all-in-one solution for up to Full HD (1080p) video playback.

Key Features

- **The newest Sigma Designs 8642 media processor:** enjoy excellent playback and performance of interactive features.
- **HDD player:** connect an HDD to the player and play content directly from the HDD.
- **Network player:** connect the player to a local network and play content directly from PC or NAS (UPnP, SMB, NFS).
- **MKV player:** play HD video in a popular MKV format and other modern video file formats, including top quality HD video with very high bitrate.
- **3 USB ports:** conveniently connect HDDs, USB flash drives, USB card readers and other USB storage devices.
- **eSATA port:** connect an HDD via the most efficient eSATA interface.
- **HDD mobile rack:** easily and quickly connect and exchange internal 3.5" SATA HDD.
- **HDMI 1.3:** ensure the best possible quality of HD video and HD audio.
- **7.1 audio decoders and 7.1 audio outputs:** get an excellent surround sound with any audio equipment.
- **Full set of standard A/V connectors:** use S/PDIF optical audio, S/PDIF coaxial audio, stereo audio, component video, composite video outputs to easily connect any A/V equipment.
- **Video output flexibility:** output video in any resolution and format (from SD to 1080p, 24p/PAL/NTSC).
- **Upscaling:** high quality upscaling of DVD and any other SD video content to Full HD (1080p) or other HD resolution.
- **File browser:** convenient file browser with powerful file management (copy, move, delete, rename, organize).
- **Extra functions:** Full HD photo viewer, Internet radio, multicast UDP/RTP streams playback and recording, playlists, NAS (SMB, FTP), BitTorrent client, media collections with cover art and icon browsing (with Full HD graphics).

Package Contents

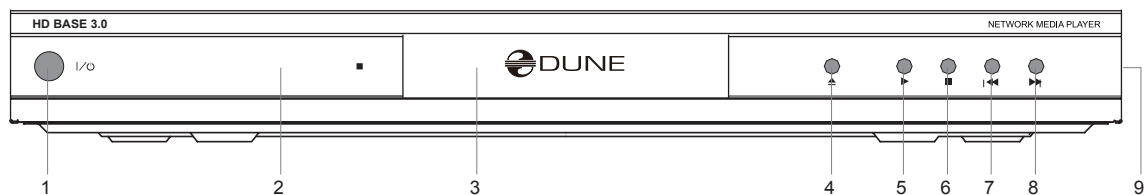


- | | | |
|---|----------------------|----------------------|
| 1. Dune HD Base 3.0 media player | 3. Power supply cord | 5. HDMI cable |
| 2. Remote control (batteries may not be included) | 4. AV cable | 6. Quick start guide |

NOTE: Additional items (optional) may be included into the package, depending on player configuration, region, and distributor, such as CD with additional documentation and/or demo content.

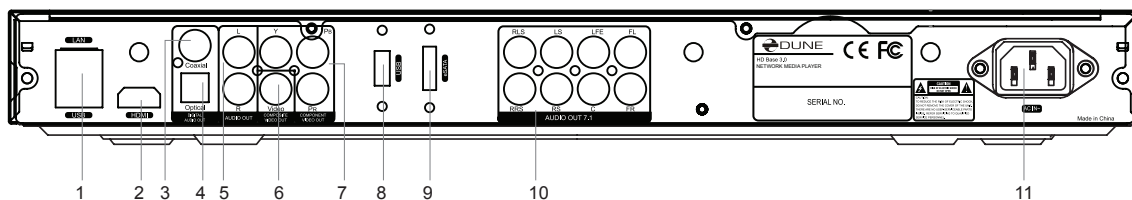
Exterior

Front view



- | | | |
|-----------------|---------------|-----------------|
| 1. Power switch | 4. EJECT | 7. PREV |
| 2. Display | 5. PLAY/PAUSE | 8. NEXT |
| 3. HDD rack | 6. STOP | 9. USB 2.0 host |

Rear view



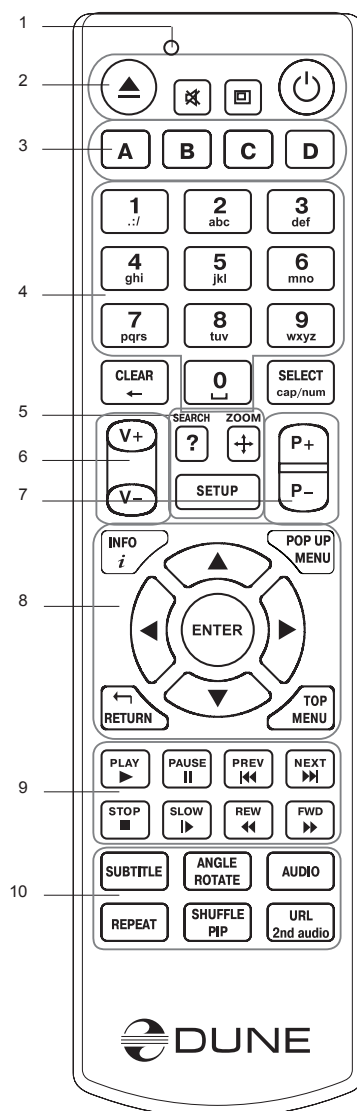
- | | |
|--|--|
| 1. LAN and USB 2.0 host | 7. Component (Y/Pb/Pr) video output |
| 2. HDMI 1.3 | 8. USB 2.0 host |
| 3. Coaxial digital audio output | 9. eSATA host |
| 4. Optical digital audio output | 10. Multichannel (7.1) analog audio output |
| 5. Analog stereo (left/right) audio output | 11. AC power |
| 6. Composite video output | |

Remote Control

1. Command indicator — flashes in response to RC button pressing.
2. **EJECT** — open/close the optical drive tray. **MUTE** — turn the sound on/off. **MODE** — switch the video output mode; control some other player functions. **POWER** — toggle the standby mode.
3. **A (Red), B (Green), C (Yellow), D (Blue)** — control the playback and some other player functions.
4. **0–9** — enter numbers and text; control some other player functions.
5. **SEARCH** — jump to a specified playback position. **ZOOM** — change the zoom factor for the video content being played. **SET-UP** — enter/leave the setup menu; adjust playback settings during playback.
6. **V+/V-** (volume up / volume down) — adjust the volume.
7. **P+/P-** (page up / page down) — scroll up and down in various lists; control some other player functions.
8. Arrows (**LEFT, RIGHT, DOWN, UP**), **ENTER, RETURN, TOP MENU, POP UP MENU, INFO** — main buttons for controlling the player (navigate across the items on the screen, open/use the currently selected item, go back to the previous screen, go to main menu, show popup menu with actions, show information, control some other player functions).
9. **PLAY, PAUSE, STOP, SLOW, REW, FWD, PREV, NEXT** — control the playback.
10. **SUBTITLE, URL/2nd audio, ANGLE/ROTATE, REPEAT, SHUFFLE/PIP, AUDIO** — control the playback and some other player functions.

NOTES:

- Use alkaline AAA batteries.
- Observe polarity when inserting batteries.
- Direct the remote control to the player. There must be no obstacles between the RC and the player.
- If RC functions only at short distances or stops functioning, make sure to replace the batteries.
- Some RC buttons may have several functions depending on the current player mode.
- Some RC buttons may be available only in certain player modes or only during playback of a certain content.



Getting Started

Remove the transparent protecting film from the front panel of the player to ensure good look of the player.

Ensure there is enough space around the player for proper cooling. The space at each side should be not less than 10 cm.

Ensure the RC has batteries installed.

Connect the player to your TV and to other A/V equipment in an appropriate way. Use HDMI connection to get the best possible quality of video and audio. Make sure to switch off the player and all relevant A/V equipment before connecting them. Ensure your TV and other A/V equipment are configured to use proper inputs.

Switch on the player. The player will perform its initial loading procedure, which may take up to about 1 minute. During the loading procedure, "DUNE" logo is shown on the TV.

- If you do not see "DUNE" logo on the TV when you switch on the player, it may mean some problem with the connection between the player and the TV or that a wrong video input is chosen in the TV or A/V receiver/switch. In such a case, recheck the cables and the settings of the TV or A/V receiver/switch, or try to use different cables or a different way of connecting the player to the TV.
- If you see "DUNE" logo on the TV when you switch on the player, but then the picture disappears and no other picture appears during at least 10 seconds, it may mean that a wrong video output mode is configured in the player. In such a case, press the "MODE" RC button, and then press one of the RC buttons "1", "2", "3", "4" or "5" to switch to a different video output mode (see "Quick Setting of Video Output Mode").

Finally, you should see the main screen of the player menu. The main screen shows items allowing to use different player functions and access all storage devices and network drives connected to the player.

Adjust the player settings as needed using "**SETUP**" item on the main screen of the player menu (or by pressing the "**SETUP**" RC button). In particular, you may want to adjust video settings, audio settings, and network settings.

To choose the language of the player menu, use "Setup / General / Interface language" setting.

Use the RC buttons "**LEFT**", "**RIGHT**", "**UP**", "**DOWN**", "**ENTER**", "**RETURN**" to navigate through the player menu. Use the "**MENU**" RC button to show the list of available commands. Use the "**INFO**" RC button to show the information about the selected item.

Quick Setting of Video Output Mode

The "**MODE**" RC button allows quick setting of video output mode without entering the player setup menu. This way of video output configuration may be required if you see no picture on the screen after connecting your player to a TV.

Press the "**MODE**" RC button and then one of the RC buttons "**1**", "**2**", "**3**", "**4**", or "**5**" to switch to one of the following video output modes respectively:

1. Composite/Component, PAL
2. Composite/Component, NTSC
3. HDMI, 480i, 60 Hz
4. HDMI, 720p, 60 Hz
5. HDMI, 1080i, 60 Hz

After you see a picture on the TV, press the "**ENTER**" RC button, and then go to the player setup menu to perform a more precise configuration of the video output mode if needed.

NOTE: The procedure of quick setting of video output mode can not be used during playback. To ensure this procedure can be used, switch the player off, then switch the player on, and the wait about 1 minute to ensure the player loading is finished.

Connecting USB Drives

To connect a USB drive, ensure you are on the main screen of the player menu and connect the USB drive to an USB port of the player. The player will recognize the USB drive, and will show an item corresponding to the USB drive on the main screen.

When connecting a USB drive requiring significant power (such as USB HDD), use an external power supply for the USB drive. Power provided by the USB ports of the player may not be enough for correct functioning of the USB drive.

Do not disconnect or switch off the USB drive when some write operation is in progress.

Connecting eSATA Drives

To connect an eSATA drive, switch off both the player and the eSATA drive, connect the eSATA drive to the eSATA port of the player (and connect the eSATA drive to its power supply), switch on the eSATA drive, and, as the last step, switch on the player. The player will recognize the eSATA drive, and will show an item corresponding to the eSATA drive on the main screen of the player menu.

Switch off and disconnect the eSATA drive only after switching off the player.

Formatting HDD

To format a HDD attached to the player, select the drive item on the main screen of the player menu, press the "INFO" RC button and choose "Format Disk" (to format the entire disk) or "Format Partition" (or to format an already existing disk partition only). The player will format the disk using "EXT2" filesystem. NOTE: To use disks formatted by the player on a Windows PC, you may need to install additional software on the PC, such as "EXT2FSD" (<http://www.ext2fsd.com/>).

Accessing Network Drives

To connect a network drive using SMB or NFS protocol, ensure you are on the main screen of the player menu, press the "MENU" RC button, and choose "Create Network Folder", then fill the parameters of the network drive as needed. The player will show an item corresponding to the configured network drive on the main screen.

To browse the list of network resources accessible via SMB or UPnP protocols, use "Network Browser" item on the main screen of the player menu. NOTE: If some network resources are not shown by the player, you may need to wait some minutes and then retry (or press the "MENU" RC button and choose "Refresh" command).

Power Off and Standby

To switch off the player completely, toggle the power switch on the front panel. After the player is switched off, it is recommended to wait about 1 minute before switching it on again. NOTE: Do not switch off the player if some drive is connected to the player and some write operation is in progress.

To put the player into the standby mode, press the "POWER" RC button. In the standby mode, the player produces no signal on the video output, but is still functioning. For example, if you have some storage devices connected to the player, you may still access them from network ("NAS" function of the player). To exit the standby mode, press the "POWER" RC button again. Exiting the standby mode takes just a few seconds. NOTE: When the player is in the standby mode, it still consumes significant power. It is not recommended to keep the player in the standby mode for a while if you do not need it.

Alternatively, you can configure the player to switch off completely when pressing the "POWER" RC button (see "Miscellaneous / Advanced / POWER remote button" in the player setup menu).

NAS (Network Attached Storage)

You can access storage devices connected to the player from the local network using FTP and SMB protocols. On a Windows PC, just type "ftp://ip_address" or "\\ip_address" in the Windows explorer, where "ip_address" is the IP address of the player.

WiFi

You can use a USB WiFi adapter to connect the player to the local network via WiFi.

Please see here for the information on supported USB WiFi adapters: http://dune-hd.com/support/hw_compat/.

Limitations

Compatibility of the player with a particular hardware (A/V equipment, network equipment, disk drives, etc) may depend on various factors (particular hardware model, specifics of hardware installation and usage, configuration of the player and the hardware, etc). If the player does not correctly work with a particular hardware, try to adjust the configuration of the player or hardware, try to use the hardware in a different way, or try to use some other hardware.

Compatibility of the player with a particular media content (files, discs, etc) may depend on various factors (specifics of media content encoding, specifics of the configuration of the player, etc). If the player does not play correctly a particular media content, try to adjust the configuration of the player, or try to use media content encoded in a different way.

Updating Your Player and Getting More Information

Please check here for updated versions of player firmware (which may improve player functioning and extend player possibilities): <http://dune-hd.com/firmware/>.

Please check here for more detailed and up-to-date documentation and information on player usage: <http://dune-hd.com/manuals/>, <http://dune-hd.com/support/>.

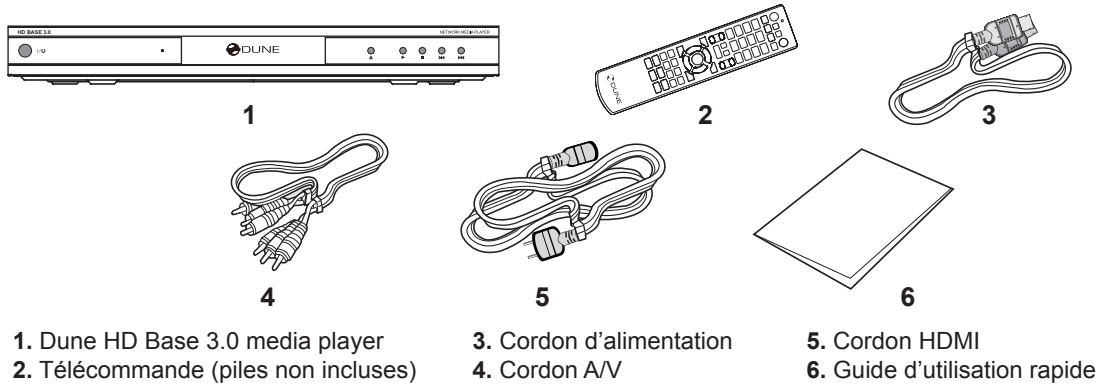
Introduction

Le Dune HD Base 3.0 est une solution tout-en-un de résolution FULL HD (1080p).

Fonctions clés

- Nouvelle puce multimédia Sigma Designs 8642 pour une lecture améliorée et fonctions interactives plus performantes.
- Connectez un Disque Dur au lecteur et lisez directement son contenu.
- Connectez le lecteur à un réseau local et lisez vos fichiers depuis un PC ou un NAS (UPnP, SMB, NFS).
- Lecture de fichiers vidéo HD au format MKV.
- 3 ports USB: connectez Disques Durs, Clés USB, Lecteurs de cartes USB ou autre périphérique de stockage USB.
- Port eSATA: connectez un Disque Dur via l'interface eSATA.
- HDD mobile rack: facilement et rapidement installer interne de 3,5" SATA HDD.
- HDMI 1.3 pour une qualité HD audio et vidéo optimale.
- Décodeurs audio 7.1 et sorties audio analogiques 7.1 audio pour une restitution sonore multi-canaux de haute qualité sur tout type d'amplificateur.
- Connecteurs A/V multiples: S/PDIF optique, S/PDIF coaxial, stéréo, YUV, composite video.
- Sorties vidéo multiples: depuis la SD jusqu'au 1080p (24p/PAL/NTSC).
- Mise à l'échelle de haute qualité de DVD (ou autre source SD) jusqu'au 1080p.
- Gestionnaire de fichiers avancé permettant de copier, déplacer, supprimer, renommer, organiser.
- Fonctions supplémentaires: lecture de photo en résolution Full HD, radio internet, lecture et enregistrement de flux UDP/RTP, listes de lectures, NAS (SMB, FTP), client BitTorrent, gestion des jaquettes et icônes en résolution FULL HD.

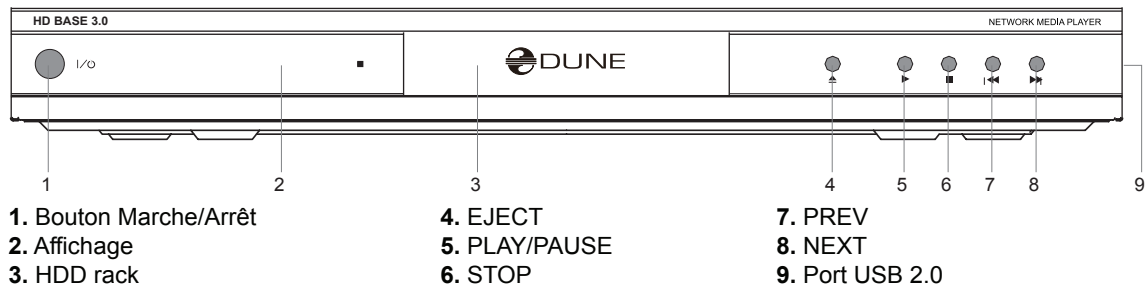
Contenu de la boîte



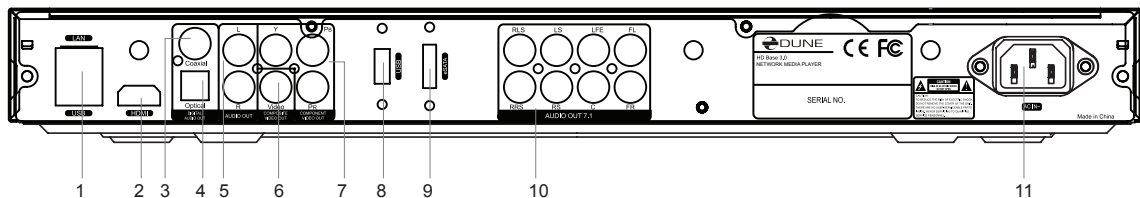
NOTE: Des accessoires supplémentaires (optionnels) peuvent être inclus dans la boîte en fonction du pays, du distributeur et de la configuration du lecteur, tels que la documentation sur support CD, etc...

Vues extérieures

Panneau avant:



Panneau arrière:

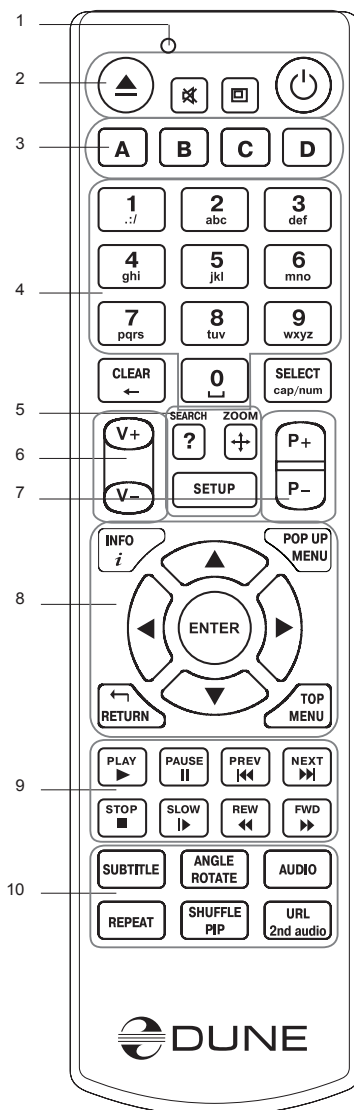


Télécommande

1. Command indicator — flashes in response to RC button press1. Témoin — le voyant de la télécommande clignote en réponse à la pression d'une touche.
2. **EJECT** — ouverture/fermeture du tiroir du lecteur optique. **MUTE** — Mise en sourdine temporaire du son. **MODE** — changement de sortie vidéo; peut s'appliquer à d'autres fonctions du lecteur. **POWER** — passe le lecteur en mode veille.
3. **A (Rouge), B (Vert), C (Jaune), D (Bleu)** — contrôle de lecture ainsi que d'autres fonctions du lecteur.
4. **0-9** — clavier numérique et alphabétique; peut s'appliquer à d'autres fonctions du lecteur.
5. **SEARCH** — permet l'accès à une position définie durant la lecture. **ZOOM** — permet de modifier le mode zoom durant la lecture. **SETUP** — entrée/sortie du menu setup; modifier les critères de lecture durant la lecture.
6. **V+/V-** (volume + / volume -) — contrôle du volume.
7. **P+/P-** (page + / page -) — permet de naviguer dans différentes listes; peut s'appliquer à d'autres fonctions du lecteur.
8. Flèches (**LEFT, RIGHT, DOWN, UP**), **ENTER, RETURN, TOP MENU, POP UP MENU, INFO** — touches principales de contrôle du lecteur (navigation entre les options à l'écran, validation de l'option sélectionnée, retour à l'écran précédant, aller au menu principal, affichage du popup menu et de ses options, affichage des informations, peut s'appliquer à d'autres fonctions du lecteur).
9. **PLAY, PAUSE, STOP, SLOW, REW, FWD, PREV, NEXT** — contrôle de lecture.
10. **SUBTITLE, URL/2nd audio, ANGLE/ROTATE, REPEAT, SHUFFLE/PIP, AUDIO** — contrôle de lecture ainsi que d'autres fonctions du lecteur.

NOTES:

- Utilisez de préférence des piles alcaline AAA.
- Assurez-vous de placer les piles en respectant la polarité.
- Dirigez bien la télécommande vers le lecteur. Aucun obstacle ne doit se trouver entre la télécommande et le lecteur.
- Si la télécommande ne fonctionne qu'à courte distance ou ne fonctionne plus, remplacez les piles.
- Certaines touches de la télécommande peuvent avoir plusieurs attributions en fonction du mode de lecture.
- Certaines touches de la télécommande peuvent être uniquement accessibles dans certains modes de lecture sur certains programmes.



Démarrage

Retirez le film transparent protecteur de la façade avant du lecteur.

Pour la bonne marche du lecteur, assurez-vous d'avoir au moins 10 cm d'espace libre de chaque côté du lecteur.

Assurez-vous que les piles sont installées dans la télécommande.

Connectez le lecteur à votre téléviseur et/ou à tout autre équipement A/V de manière appropriée. Utilisez la connexion HDMI pour obtenir la meilleure qualité audio et vidéo possible. Assurez-vous d'éteindre le lecteur ainsi que tous les équipements A/V avant d'effectuer les branchements.

Allumez le lecteur. Le lecteur effectue sa procédure de démarrage, qui peut prendre jusqu'à 1 minute. Durant le démarrage, le logo "DUNE" s'affiche à l'écran.

- Vous ne voyez pas le logo "DUNE" à l'écran lorsque vous allumez le lecteur: défaut de connexion entre le lecteur et le diffuseur ou erreur d'entrée vidéo sur le diffuseur. Dans ce cas, vérifiez les câbles ainsi que les réglages vidéo de votre diffuseur, remplacez les câbles si nécessaire ou choisissez une autre manière de connecter le lecteur au diffuseur.
- Vous voyez le logo "DUNE" à l'écran lorsque vous allumez le lecteur, mais l'image disparaît et aucune autre image n'apparaît pendant au moins 10 secondes: la sortie vidéo configurée dans le lecteur n'est pas la bonne. Dans ce cas, appuyez sur la touche "MODE" de la télécommande, et appuyez ensuite sur la touche "1", "2", "3", "4" ou "5" afin de commuter entre les différents modes de sortie vidéo (Cf. "Réglage Rapide de Sortie Vidéo").

Le menu principal du lecteur devrait maintenant s'afficher. Le menu principal vous permet d'accéder aux différentes fonctions du lecteur ainsi qu'à tout périphérique (interne, externe) ou réseau connecté au lecteur.

Sélectionnez l'élément "**SETUP**" du menu principal du lecteur (ou appuyez sur la touche "**SETUP**" de la télécommande) afin d'accéder aux réglages vidéo, audio et réseau.

Pour choisir la langue du lecteur, allez à "Setup / General / Interface language".

Utilisez les touches "**LEFT**", "**RIGHT**", "**UP**", "**DOWN**", "**ENTER**", "**RETURN**" de la télécommande afin de naviguer à travers les menus du lecteur. Utilisez la touche "**MENU**" de la télécommande pour afficher la liste des commandes disponibles. Utilisez la touche "**INFO**" de la télécommande pour afficher les informations disponibles sur l'élément sélectionné.

Réglage Rapide de Sortie Vidéo

La touche "**MODE**" de la télécommande permet de régler de façon rapide les modes de sortie vidéo sans passer par le menu setup du lecteur ; ce qui peut être utile si aucune image n'apparaît après allumage du lecteur. Appuyez sur la touche "**MODE**" de la télécommande et appuyez ensuite sur la touche "1", "2", "3", "4", ou "5" afin de commuter entre les différents modes de sortie vidéo suivants:

1. Composite/Composante, PAL
2. Composite/Composante, NTSC
3. HDMI, 480i, 60 Hz
4. HDMI, 720p, 60 Hz
5. HDMI, 1080i, 60 Hz

Après l'affichage de l'image à l'écran, appuyez sur la touche "**ENTER**" de la télécommande, allez ensuite dans le menu setup du lecteur afin d'effectuer des réglages de sortie vidéo plus précis si nécessaire.

NOTE: La procédure de réglage rapide de sortie vidéo ne peut être utilisée durant la lecture de contenu. Pour assurer le bon déroulement de la procédure, éteignez le lecteur puis rallumez-le et patientez environ 1 minute afin que le lecteur puisse achever son démarrage.

Connexion de périphérique USB

A partir du menu principal, connectez un périphérique USB à un port USB libre du lecteur. Le lecteur reconnaît alors le périphérique et affiche l'élément correspondant dans le menu principal du lecteur.

Lorsqu'un périphérique USB nécessitant un surplus de courant est connecté (tels que les Disques Durs externes USB), veuillez utiliser une alimentation externe reliée au périphérique USB. Le courant délivré par les ports USB du lecteur peut ne pas être suffisant pour faire fonctionner correctement le périphérique USB.

Ne pas éteindre ou déconnecter le périphérique USB lorsqu'une opération d'écriture est en cours.

Connexion de périphérique eSATA

Pour connecter un périphérique eSATA, éteignez le lecteur ainsi que le périphérique eSATA, puis connectez le périphérique eSATA sur le port eSATA du lecteur et connectez l'alimentation externe du périphérique eSATA. Allumez le périphérique eSATA, puis le lecteur, dans cet ordre. Le lecteur reconnaît le périphérique eSATA et affiche l'élément correspondant dans le menu principal du lecteur.

Ne pas éteindre ou déconnecter le périphérique eSATA lorsque le lecteur est allumé. Veuillez d'abord éteindre le lecteur avant d'effectuer ces opérations.

Formatage Disque Dur

Pour formater un Disque Dur connecté au lecteur, sélectionnez l'élément correspondant à partir du menu principal du lecteur, puis appuyez sur la touche «INFO» de la télécommande et sélectionnez «Format Disk» (pour formater entièrement le disque) ou «Format Partition» (pour formater une partition déjà existante). Le lecteur formate le disque en utilisant le système de fichiers «EXT2». NOTE : Pour utiliser les disques durs formatés par le lecteur sur un PC Windows, vous devez installer un logiciel sur le PC, tel que «EXT2FSD» (<http://www.ext2fsd.com/>).

Accès Lecteur Réseau

Pour connecter un lecteur réseau utilisant les protocoles SMB ou NFS, appuyez sur la touche "MENU" de la télécommande à partir du menu principal du lecteur, et choisissez "Create Network Folder" puis renseignez les paramètres demandés. Le lecteur affiche ensuite l'élément correspondant dans le menu principal.

Pour naviguer à travers la liste des ressources réseau accessible via les protocoles SMB ou UPnP, sélectionnez l'élément "Network Browser" dans le menu principal du lecteur. NOTE : Un délai de quelques minutes est parfois nécessaire pour faire apparaître les ressources réseau. Si aucune ressource réseau ne s'affiche à l'écran, recommencez l'opération (ou appuyez sur la touche "MENU" de la télécommande et sélectionnez la commande "Refresh").

Extinction et Mise en Veille

Pour éteindre complètement le lecteur, appuyez sur la touche power située sur la façade avant du lecteur. Après extinction complète du lecteur, il est recommandé de patienter environ 1 minute avant de le rallumer. NOTE: Ne pas éteindre le lecteur si un périphérique est connecté et qu'une opération d'écriture est en cours.

Pour mettre le lecteur en mode veille, appuyez sur la touche "POWER" de la télécommande. En mode veille, le lecteur ne produit aucun signal de sortie vidéo mais fonctionne encore. Par exemple, si des périphériques de stockage sont connectés au lecteur, vous pouvez toujours y accéder à travers le réseau (fonction "NAS" du lecteur). Pour sortir du mode veille, appuyez de nouveau sur la touche "POWER" de la télécommande. La sortie du mode veille ne dure que quelques secondes. NOTE: Lorsque le lecteur

est en mode veille, il continue à consommer de l'énergie. Il n'est pas recommandé de rester en mode veille pendant une longue durée.

Vous pouvez configurer l'extinction complète du lecteur en appuyant sur la touche "POWER" de la télécommande (allez à "Miscellaneous / Advanced / POWER remote button" dans le menu setup du lecteur).

NAS (Network Attached Storage)

Vous pouvez accéder aux périphériques de stockage connectés au lecteur depuis le réseau local en utilisant les protocoles FTP et SMB. Sur un PC Windows, tapez juste "ftp://ip_address" ou "\\ip_address" dans votre navigateur internet, l'"ip_address" étant l'adresse IP du lecteur.

WiFi

Vous pouvez utiliser un périphérique USB WI-FI pour connecter le lecteur au réseau local via WI-FI.

Pour connaître les périphériques compatibles, rendez-vous à l'adresse suivante: http://dune-hd.com/support/hw_compat/.

Limitations

La compatibilité du lecteur avec certains matériels (amplificateurs A/V, matériels réseau, disques durs, etc.) peut dépendre de plusieurs facteurs (modèle particulier, installation et usage spécifique, configuration du lecteur avec le matériel, etc.). Si le lecteur ne fonctionne pas correctement avec un matériel particulier, essayez de modifier la configuration du lecteur et du matériel, d'utiliser le matériel différemment ou d'utiliser un autre matériel.

La compatibilité du lecteur avec certains contenus multimédia (fichiers, disques, etc.) peut dépendre de plusieurs facteurs (encodage spécifique de fichier, configuration particulière du lecteur, etc.). Si le lecteur ne fonctionne pas correctement avec un contenu multimédia particulier, essayez de modifier la configuration du lecteur, ou utilisez un contenu multimédia encodé différemment.

Mise à Jour du lecteur et Informations Complémentaires

Pour rechercher les dernières mises à jour firmware du lecteur (pouvant améliorer le fonctionnement du lecteur et étendre ses capacités), rendez-vous à l'adresse suivante: <http://dune-hd.com/firmware/>.

Pour obtenir les dernières informations et documentations sur l'utilisation du lecteur, rendez-vous aux adresses suivantes: <http://dune-hd.com/manuals/>, <http://dune-hd.com/support/>.

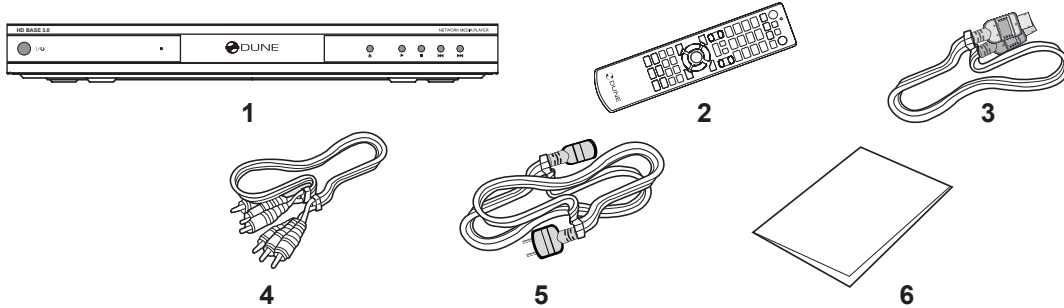
Einführung

Der Dune HD Base 3.0 ist die umfassende Lösung für volle HD (1080p) Videowiedergabe.

Grundfunktionen

- **Neuster Sigma Designs 8642 Multimedia Prozessor:** Für perfekte Wiedergabe von Videos und beeindruckende Geschwindigkeit bei interaktiven Funktionen (z.B. Menüaufbau)
- **Festplatten-Player:** Verbinden Sie eine Festplatte mit dem Player und spielen Sie die Inhalte direkt von der Festplatte ab.
- **Netzwerk-Player:** Verbinden Sie den Player mit dem lokalen Netzwerk und spielen Sie die Inhalte direkt von PC oder NAS über UPnP, SMB, NFS Verbindungen ab.
- **MKV-Player:** Spielen Sie HD-Videos im populären MKV-Format und zusätzlich allen weiteren gängigen Videoformaten ab. Inklusive hochauflösenden HD-Videos bei extrem hoher Bitrate.
- **3 USB Anschlüsse:** Verbinden Sie auf einfachste Weise Festplatten, USB-Sticks, USB Cardreader und weitere USB Massenspeicher Geräte mit dem Player.
- **eSATA Anschluss:** Verbinden Sie externe eSATA Festplatten mit dem Player.
- **HDD mobile rack:** Einfach und schnell installieren interne 3,5" SATA HDD.
- **HDMI 1.3:** Zur Sicherstellung der bestmöglichen HD-Video und HD-Audio Qualität.
- **7.1 Audiodekoder und 7.1 Audioausgänge:** Erleben Sie exzellenten Raumklang.
- **Komplette A/V Anschlussmöglichkeiten:** Nutzen Sie S/PDIF optical Audio, S/PDIF coaxial Audio, Stereo Audio, Component Video und Composite Videoausgänge, um Ihre A/V Geräte zu verbinden.
- **Flexible Videoauflösung:** Videowiedergabe in jeder Auflösung und allen Formaten (von SD bis 1080p, 24p/PAL/NTSC).
- **Skalierung:** Automatische Skalierung von DVD und allen anderen SD Videoinhalten zu Full HD (1080p) oder jeder anderen HD-Auflösung in perfekter Qualität.
- **Dateimanager:** Einfach zu nutzender Dateimanager (Kopieren, Verschieben, Löschen, Umbenennen und mehr).
- **Zusätzliche Funktionen:** Volle HD Fotowiedergabe, Internet Radio, Wiedergabe und Aufnahme von multicast UDP/RTP Streams, Playlisten, NAS (SMB, FTP) Verbindung, BitTorrent Client, Video Sammlungen mit Coverbildern und Coverbild Navigation (in HD Grafik).

Lieferumfang

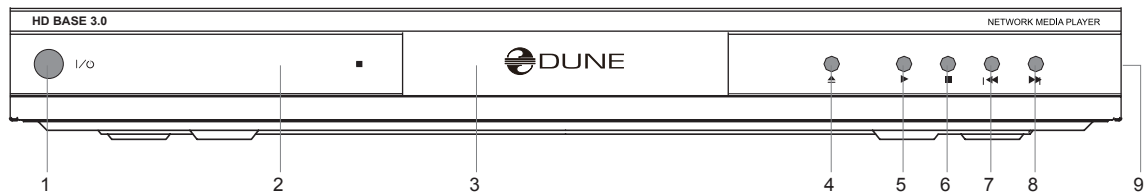


- | | | |
|---|--------------|--------------------------|
| 1. Dune HD Base 3.0 Media-Player | 3. Netzkabel | 5. HDMI Kabel |
| 2. Fernbedienung (Batterien evtl. nicht enthalten!) | 4. A/V Kabel | 6. Schnellstartanleitung |

HINWEIS: Zusätzliches (optionales) Zubehör kann im Paket enthalten sein. Dies ist abhängig von der Konfiguration des Gerätes, der Verkaufsregion und des Lieferanten. So können z.B. CDs mit weiterer Dokumentation oder Demonstrationsmaterial.

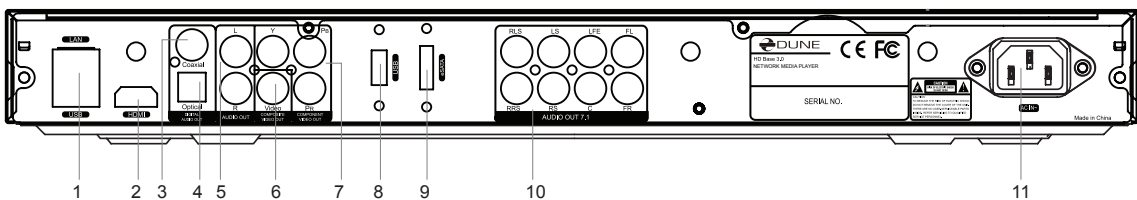
Gehäuse

Vorderansicht:



- | | | |
|--------------------|---------------|----------------------|
| 1. Ein/Ausschalter | 4. EJECT | 7. PREV |
| 2. Display | 5. PLAY/PAUSE | 8. NEXT |
| 3. HDD rack | 6. STOP | 9. USB 2.0 Anschluss |

Rückansicht:



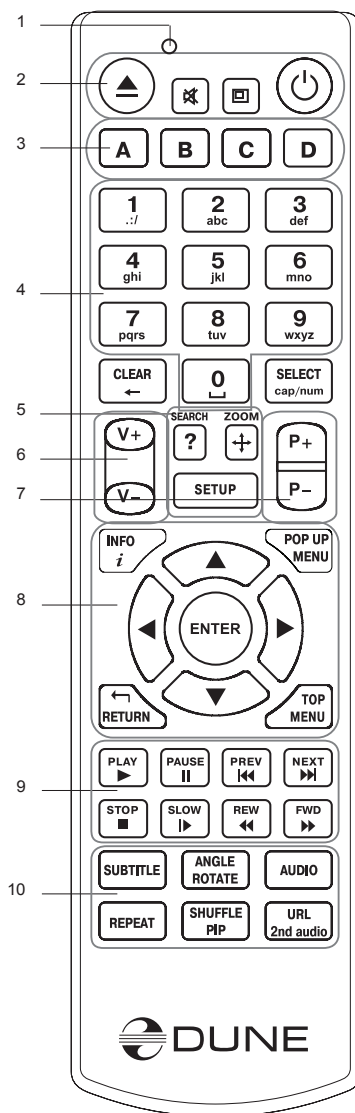
- | | |
|--|--|
| 1. LAN und USB 2.0 Anschluss | 6. Composite Video Ausgang |
| 2. HDMI 1.3 Ausgang | 7. Component (Y/Pb/Pr) Videoausgang |
| 3. Digitaler Coaxial Audioausgang | 8. USB 2.0 Anschluss |
| 4. Optischer Digital Audioausgang | 9. eSATA Anschluss |
| 5. Analog Stereo (links/rechts) Audioausgang | 10. Multikanal (7.1) Analog Audioausgang |
| | 11. Netzkabel Anschluss |

Fernbedienung

1. Funktionskontrolle (LED) — Blinkt, wenn ein Knopf gedrückt wird.
2. **EJECT** — Öffnen/Schließen des optischen Laufwerks. **MUTE** — Audio Stummschaltung. **MODE** — Wechseln des Videoausgabe Modus; weitere Funktionen des Players kontrollieren. **POWER** — Wechsel zwischen Standby- und Betriebsmodus.
3. **A (Rot), B (Grün), C (Gelb), D (Blau)** — Darstellungsoptionen ändern.
4. **0–9** — Eingabe von Zahlen und Text; weitere Funktionen des Players kontrollieren.
5. **SEARCH** — Zu festgelegter Wiedergabeposition springen. **ZOOM** — Wechseln des Zoomfaktors für aktuelle Videowiedergabe. **SETUP** — Setup Menü aufrufen/verlassen; Wiedergabeoptionen während der Darstellung ändern (Helligkeit/Kontrast...).
6. **V+/V-** (Lautstärke rauf / Lautstärke runter) — Einstellen der Lautstärke.
7. **P+/P-** (Seite rauf / Seite runter) — Seitenweise in verschiedenen Listen blättern; weitere Funktionen des Players kontrollieren.
8. Pfeiltasten (**LINKS, RECHTS, RUNTER, RAUF**), **ENTER**, **RETURN**, **TOP MENU**, **POP UP MENU**, **INFO** — Tasten zur Kontrolle des Players (Navigation im Menü, Öffnen/Abspielen des gerade selektierten Eintrags, zurück zum vorherigen Menüpunkt, Hauptmenü öffnen, Popup Menü aufrufen, Informationen anzeigen, weitere Funktionen des Players kontrollieren).
9. **PLAY, PAUSE, STOP, SLOW, REW, FWD, PREV, NEXT** — Wiedergabekontrolle.
10. **SUBTITLE, URL/2nd audio, ANGLE/ROTATE, REPEAT, SHUFFLE/PIP, AUDIO** — Darstellungsoptionen ändern.

HINWEISE:

- Nutzen Sie Alkaline AAA Batterien.
- Achten Sie auf richtige Polung beim Einlegen der Batterien.
- Halten Sie die Fernbedienung immer direkt auf das Gerät gerichtet. Es dürfen sich keine Gegenstände oder andere Hindernisse zwischen Fernbedienung und Gerät befinden.
- Funktioniert die Fernbedienung nur noch über kurze Distanz, bitte Batterien wechseln.
- Einige Tasten können verschieden Funktionen besitzen, abhängig vom aktuellen Modus.
- Einige Tasten sind nur abhängig vom aktuellen Modus oder bei Wiedergabe verschiedener Inhalte nutzbar.



Inbetriebnahme

Entfernen Sie die transparente Schutzfolie von der Front des Gerätes für eine bessere Optik.

Um eine ausreichende Kühlung des Gerätes zu gewährleisten, stellen Sie bitte sicher, dass sich auf allen Seiten des Gerätes mindestens 10 cm Freiraum befinden.

Legen Sie die Batterien in die Fernbedienung ein.

Verbinden Sie das Gerät mit Ihrem TV und evtl. anderen vorhandenen A/V Komponenten. Nutzen Sie die HDMI Verbindung für die bestmögliche Qualität der Video- und Audiowiedergabe. Schalten Sie das Gerät und evtl. vorhandene A/V Komponenten aus, bevor Sie die Geräte verbinden. Stellen Sie bitte sicher, dass Ihr TV und evtl. vorhandene andere A/V Komponenten auf die richtigen Eingänge konfiguriert wurden.

Schalten Sie den Player ein. Der Player startet nun mit dem Ladevorgang, welcher bis zu einer Minute dauern kann. Während dieser Zeit erscheint das "DUNE" Logo auf dem TV.

- Erscheint das "DUNE" Logo nicht auf dem TV nachdem der Player eingeschaltet wurde, deutet dies auf ein Problem mit der Verkabelung zwischen Player und T, oder falsch eingestelltem Videoeingang am TV hin. In diesem Fall überprüfen Sie bitte nochmals die korrekte Verkabelung und die Einstellungen am TV Gerät. Alternativ versuchen Sie, den Player über andere Anschlüsse mit dem TV zu verbinden.
- Sehen Sie das "DUNE" Logo auf dem TV Gerät nach dem Einschalten, dann aber verschwindet das "DUNE" Logo und das Menü erscheint im Anschluss nicht nach etwa 10 Sekunden auf dem TV, deutet dies auf einen falsch eingestellten Video-Modus am Player hin. In diesem Fall drücken Sie bitte die "**MODE**" Taste der Fernbedienung und im Anschluss die Tasten "**1**", "**2**", "**3**", "**4**" oder! "**5**", um einen anderen Video-Modus zu wählen. (s.u. "Schnellwechsel des Video-Modus").

Das Hauptmenü sollte nun auf dem TV erscheinen. Dieses Hauptmenü erlaubt über verschiedene Menüpunkte den Zugang zu den einzelnen Funktionseinstellungen des Players ebenso, wie den Zugriff auf angeschlossene Speichermedien und Netzwerkfreigaben.

Nehmen Sie nun, wie gewünscht, die Konfiguration des Gerätes über den Menüpunkt "**SETUP**" oder durch Drücken der Taste "**SETUP**" auf der Fernbedienung vor. Im einzelnen sollten Sie die Einstellungen für die Audio- und Videowiedergabe und die Netzwerkeinstellungen prüfen.

Um die Sprache zu ändern (z.B. Deutsch), wählen Sie bitte "Setup / General / Interface language".

Nutzen Sie die Tasten "**LINKS**", "**RECHTS**", "**RAUF**", "**RUNTER**", "**ENTER**", "**RETURN**" der Fernbedienung, um im Menü zu navigieren. Drücken Sie die "**MENU**" Taste auf der Fernbedienung, um eine Liste der möglichen Kommandos und weitere Informationen zu erhalten. Drücken Sie die "**INFO**" Taste der Fernbedienung, um mehr Informationen zum ausgewählten Menüpunkt zu erhalten.

Schnellwechsel des Video-Modus

Die "**MODE**" Taste der Fernbedienung erlaubt das schnelle Ändern des Video-Modus, ohne das Menü aufzurufen. Diese Art der Umschaltung könnte nötig sein, wenn Sie nach dem Einschalten des Gerätes keine Ausgabe auf dem TV sehen und so die Umstellung per Menü nicht möglich ist.

Drücken Sie die "**MODE**" Taste der Fernbedienung, gefolgt von der Taste "**1**", "**2**", "**3**", "**4**", oder! "**5**", je nachdem welcher Modus gewünscht ist. Die Zahlen stehen dabei für folgende Modi:

1. Composite/Component, PAL
2. Composite/Component, NTSC
3. HDMI, 480i, 60 Hz
4. HDMI, 720p, 60 Hz
5. HDMI, 1080i, 60 Hz

Sehen Sie nun ein Bild auf dem TV, drücken Sie bitte die "**ENTER**" Taste der Fernbedienung und wechseln bei Bedarf in das Video Setup Menü, um weitere Feinheiten der Videodarstellung zu konfigurieren.

HINWEIS: Der Schnellwechsel des Video-Modus funktioniert nicht bei der Wiedergabe von Inhalten. Um diese Funktion zu nutzen, schalten Sie den Player aus und warten etwa 1 Minute, bis der Player wieder voll betriebsbereit ist.

USB Geräte anschließen

Zum Einbinden von USB-Geräten wechseln Sie bitte zunächst in das Hauptmenü. Nach Anstecken des USB-Gerätes wird dieses vom Player erkannt und es erscheint der entsprechende Menüpunkt auf dem Bildschirm.

Bei Verwendung eines externen USB-Laufwerks mit hohem Strombedarf (z.B. Festplatte), nutzen Sie bitte eine externe Stromversorgung für das Gerät. Die Ausgangsspannung für das Gerät über den USB-Port kann zu gering sein und somit das Gerät nicht funktionieren.

Entfernen Sie kein externes Gerät vom USB-Anschluss, wenn noch Daten geschrieben werden!

eSATA Laufwerke anschließen

Um ein eSATA Laufwerk anzuschließen, schalten Sie bitte beide Geräte zunächst aus! Verbinden Sie nun das eSATA Laufwerk mit dem eSATA Anschluss des Players und schließen die externe Stromversorgung des eSATA Laufwerks an das Laufwerk an. Schalten Sie nun zuerst das eSATA Laufwerk, und im Anschluss den Player ein. Das eSATA Laufwerk wird nun vom Player erkannt und es erscheint der entsprechende Menüpunkt auf dem Bildschirm.

Entfernen oder schalten Sie das eSATA Laufwerk nur aus, nachdem der Player ausgeschaltet wurde.

Festplatten formatieren

Um eine an den Player angeschlossene Festplatte zu formatieren, wählen Sie bitte das entsprechende Laufwerk im Hauptmenü und drücken die "INFO" Taste auf der Fernbedienung. Wählen Sie "Formatieren" (zum Formatieren der gesamten Festplatte) oder "Partition Formatieren" (zum Formatieren einer bestehenden Partition). Der Player wird die Festplatte nun im "EXT2" Dateisystem formatieren. HINWEIS: Um mit dem Player formatierte Festplatten mit einem Windows PC nutzen zu können, benötigen Sie zusätzliche Software für Ihren Windows PC, z.B. "EXT2FSD" von <http://www.ext2fsd.com/>. Andernfalls wird die Festplatte nicht erkannt.

Netzwerkfreigaben einbinden

Um eine Netzwerkfreigabe mittels SMB oder NFS(Linux) einzubinden, wechseln Sie bitte zunächst ins Hauptmenü. Drücken Sie dort nun die „MENU“ Taste der Fernbedienung und wählen „Netzwerkordner erstellen“. Geben Sie nun alle benötigten Parameter für die Netzwerkfreigabe über die Fernbedienung ein. Im Anschluss erscheint im Hauptmenü dann ein neuer Menüpunkt mit der von Ihnen erstellten Netzwerkverbindung

Um alle verfügbaren SMB oder UPnP Netzwerk Ressourcen anzuzeigen, wählen Sie bitte den Menüpunkt „Network Browser“ im Hauptmenü des Players. HINWEIS: Sollten nicht alle verfügbaren Netzwerk Ressourcen angezeigt werden, warten Sie bitte einige Minuten oder drücken nochmals die „MENU“ Taste der Fernbedienung und wählen „Refresh“.

Ausschalten und Standby

Um den Player komplett auszuschalten, drücken Sie bitte den Ein-Ausschalten Knopf auf der Vorderseite des Players. Nachdem der Player ausgeschaltet wurde, empfehlen wir, mindestens eine Minute vergehen zu lassen, bevor Sie den Player wieder einschalten. HINWIES: Schalten Sie den Player nicht aus, wenn auf externe Geräte noch Daten geschrieben werden.

Um den Player in den Standby Modus zu versetzen, drücken Sie die "POWER" Taste auf der Fernbedienung. Im Standby Modus erzeugt der Player kein Videosignal mehr, ist aber trotzdem noch voll betriebsbereit. Z.B. Können Sie weitere am Gerät angeschlossene Geräte über die NAS Funktion des Players ansprechen und nutzen. Zum Beenden des Standby Modus drücken Sie bitte erneut die "POWER" Taste der Fernbedienung und warten einige Sekunden, bis das Gerät wieder voll betriebsbereit ist. HINWEIS: Auch im Standby Modus benötigt der Player signifikant Strom. Wir empfehlen daher, den Player bei längerer Nichtnutzung richtig auszuschalten und nicht im

Standby Modus zu belassen.

Alternativ können Sie den Player so konfigurieren, dass dieser sich durch Drücken der "POWER" Taste auf der Fernbedienung auch komplett ausschaltet. (siehe "Verschiedenes / Erweitert / POWER remote button" im Setup Menü des Players).

NAS (Network Attached Storage)

Sie können über das lokale Netzwerk auf an den Player angeschlossene Laufwerke via FTP oder SMB zugreifen. Auf einem Windows Rechner tippen Sie einfach "ftp://IP-Adresse" oder "\\IP-Adresse" im Windows Explorer, wobei Sie "IP-Adresse" durch die richtige IP-Adresse des Players ersetzen müssen (z.B. 192.168.0.5).

WiFi (Drahtlose Verbindung WLAN)

Sie können einen USB-Wlan Stick verwenden, um den Player mittels WLAN mit einem lokalen Netzwerk zu verbinden.

Weitere Informationen zu den unterstützten USB-Wlan Sticks finden Sie unter: http://dune-hd.com/support/hw_compat/.

Einschränkungen

Die Kompatibilität des Players mit verschiedene Geräten (A/V Geräte, Netzwerkgeräte, Festplattenlaufwerke, etc.) ist abhängig von verschiedenen Faktoren (Gerätemodell und Type, Hardwareinstallation und Konfiguration von Player und der anderen Geräte). Sollte der Player nicht mit einem speziellen Gerät zusammenarbeiten, versuchen Sie die Konfiguration von Player und Gerät entsprechend zu ändern, um eine Funktion zu gewährleisten. Versuchen Sie verschiedene Möglichkeiten der Verbindungen zwischen Player und den anderen Geräten - oder verwenden Sie ein kompatibles Gerät.

Die Kompatibilität des Players mit verschiedenen Medienformaten (Dateien, Discs, etc.) ist abhängig von verschiedenen Faktoren (Encoding der Media Inhalte, Player Konfiguration etc.). Sollte der Player einige Medien nicht abspielen, versuchen Sie, die Konfiguration des Players entsprechend zu ändern oder nutzen Sie Medien in einem anderen Format.

Player updaten und weiterführende Informationen

Schauen Sie bitte unter folgendem Link nach neueren Firmware Versionen des Players (Firmware Updates können die Funktion und Stabilität des Players ebenso wie den Funktionsumfang verbessern): <http://dune-hd.com/firmware/>.

Schauen Sie bitte unter folgendem Link nach aktueller Dokumentation und weiterführenden Informationen zur Nutzung des Players: <http://dune-hd.com/manuals/>, <http://dune-hd.com/support/>.

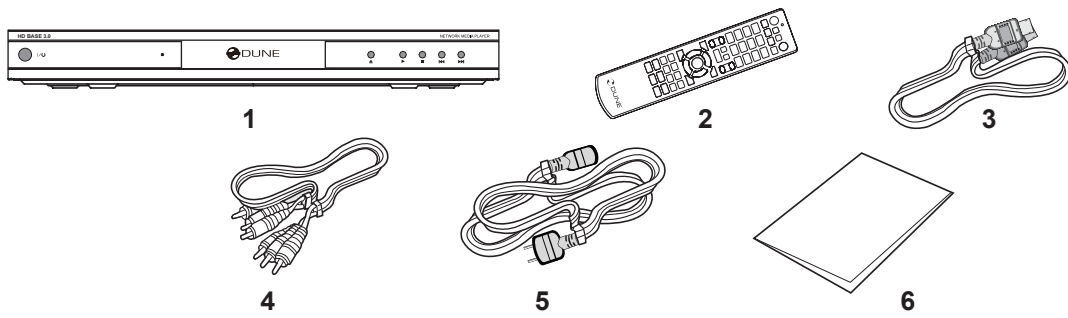
Introductie

Dune HD Base 3.0 is de alles-in-één oplossing voor Full HD (1080p) video playback.

Key features:

- **De nieuwste Sigma Designs 8642 media processor:** geniet van excellente afspelen en performance van interactieve features.
- **HDD speler:** koppel een HDD aan de speler en speel de inhoud direct vanaf de HDD.
- **Netwerk speler:** koppel de speler aan een lokaal netwerk en speel de inhoud af van uw PC of NAS (UPnP, SMB, NFS).
- **MKV speler:** speelt HD video af van het populaire formaat MKV en alle andere huidige video formaten, inclusief top kwaliteit HD Video met een hoge bitrate.
- **3 USB poorten:** makkelijk HDD, USB stick, USB card readers en andere USB opslagmedia koppelen en afspelen.
- **eSATA poort:** koppel een HDD aan de zeer efficiënte eSATA interface.
- **HDD mobile rack:** gemakkelijk en snel te installeren interne 3,5" SATA HDD.
- **HDMI 1.3:** verzekerd van de best mogelijke kwaliteit van HD video en HD audio.
- **7.1 audio decoders and 7.1 audio uitgang:** voor een perfect surround geluid met elke audio apparatuur.
- **Alle gangbare A/V aansluitingen:** gebruik S/PDIF optisch audio, S/PDIF coax audio, stereo audio, component video, composiet video output om alles makkelijk op uw A/V apparatuur aan te sluiten.
- **Video output flexibiliteit:** video output in elke resolutie en format (van SD to 1080p, 24p/PAL/NTSC).
- **Upscaling:** omzetting naar een hogere resolutie van DVD en elk ander SD (Standard Definition) video inhoud naar Full HD (1080p) of ander HD resolutie.
- **File browser:** gemakkelijk in bestanden bladeren met een krachtig file management programma (copy, verplaatsen, verwijderen, hernoemen, sorteren).
- **Extra functies:** Full HD foto viewer, Internet radio, multicast UDP/RTP streams afspelen en opnemen, playlists, NAS (SMB, FTP), BitTorrent cliënt, media collecties met cover art en icoon browsen (met full HD graphics).

Inhoud verpakking

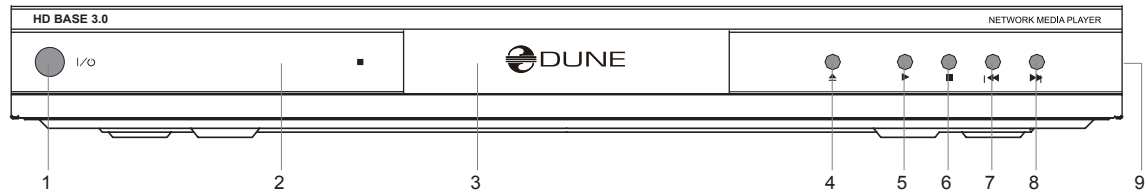


- 1. Dune HD Base 3.0 media speler
- 2. afstand bediening (batterijen niet standaard inbegrepen, AAA)
- 3. stroomkabel
- 4. A/V kabel
- 5. HDMI kabel
- 6. Snelstart gids

Let op: additionele artikelen (opties) kunnen ook in de verpakking aanwezig zijn, maar is afhankelijk van de speler configuratie, regio, en distributeur, zoals bijvoorbeeld een CD met aanvullende documentatie en/of demonstratie materiaal, etc.

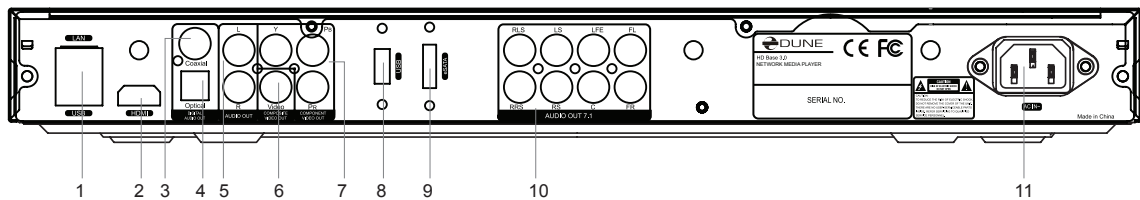
Uiterlijk

Voorkant:



- 1. Aan- en uitschakelaar
- 2. Afleesscherm
- 3. HDD rack
- 4. EJECT
- 5. PLAY/PAUSE
- 6. STOP
- 7. PREV
- 8. NEXT
- 9. USB 2.0 host

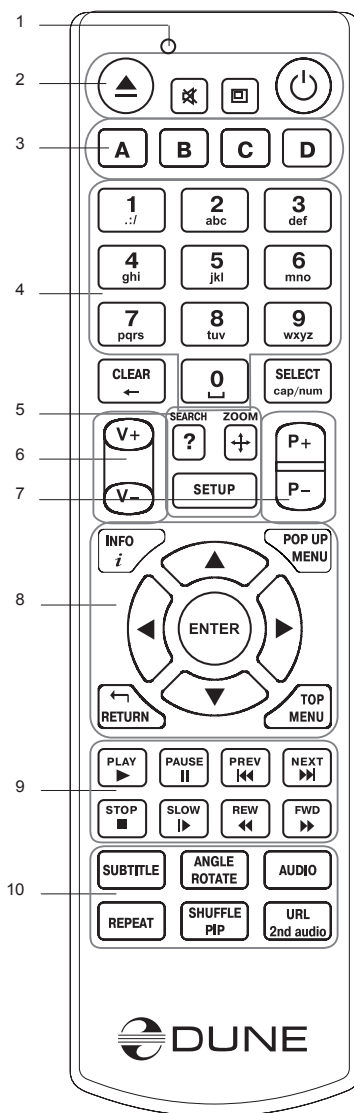
Achterkant:



- 1. LAN en USB 2.0 host
- 2. HDMI 1.3
- 3. Coax digitaal audio output
- 4. Optisch digitaal audio output
- 5. Analog stereo (links/rechts) audio output
- 6. Composiet video output
- 7. Component (Y/Pb/Pr) video output
- 8. USB 2.0 host
- 9. eSATA host
- 10. Multichannel (7.1) analog audio output
- 11. Netstroom aansluiting

Afstandsbediening

1. Commando indicator — licht op als u een knop indrukt.
2. **EJECT** — opent/sluit de optische drive lade. **MUTE** — zet het geluid aan/uit. **MODE** — verandert de video output mode; bediening van enkele speler functies. **POWER** — in en uit de standby mode schakelen.
3. **A (Rood), B (Groen), C (Geel), D (Blau)** — bediening t.b.v. het afspelen en bediening van enkele speler functies.
4. **0–9** — invoer getallen en tekst; bediening van enkele speler functies.
5. **SEARCH** — stap naar een specifiek afspeel moment. **ZOOM** — verandert de factor van het inzoomen van hetgeen er weergegeven wordt op uw scherm. **SETUP** — begin/verlaat het setup menu; veranderen afspeel instellingen tijdens het afspelen.
6. **V+/V-** (**volume harder / volume zachter**) — instellen van het volume.
7. **P+/P-** (**pagina omhoog / pagina omlaag**) — voor het omhoog en naar beneden bewegen in de speellijsten; bediening van enkele speler functies.
8. Pijltjes (**Links, Rechts, Neer, Op**), **ENTER, RETURN, TOP MENU, POP UP MENU, INFO** — hoofdknoppen om uw speler te bedienen (navigeren door items op het scherm, open/gebruik het momenteel geselecteerde item, ga terug naar vorige scherm, ga naar het hoofdmenu, vertoon pop up menu met acties, vertoon informatie, bediening van enkele speler functies).
9. **PLAY, PAUSE, STOP, SLOW, REW, FWD, PREV, NEXT** — bediening t.b.v. het afspelen.
10. **SUBTITLE, URL/2nd audio, ANGLE/ROTATE, REPEAT, SHUFFLE/PIP, AUDIO** — bediening t.b.v. het afspelen en bediening van enkele speler functies.



Let op:

- Gebruik alleen alkaline AAA batterijen.
- Let goed op de polariteit van de batterijen als u deze installeert.
- Richt de afstandsbediening naar de speler. Er mogen geen obstakels staan tussen de afstandsbediening en de speler.
- Als de afstandsbediening, na verloop van tijd, het niet meer doet, slechter gaat werken of als u dichterbij de speler moet staan, zult u de batterijen moeten vervangen.
- Enkele knoppen op de afstandsbediening hebben meerdere functies die afhankelijk zijn van het menu waarin u zit op de afspeelmodus..
- Enkele knoppen op de afstandsbediening werken alleen in bepaalde menu's of gedurende het afspelen.

Starten

Verwijder de beschermende transparante folie van de voorzijde van de speler.

Verzeker u ervan dat er rondom de speler (voor, naast achter en boven) voldoende ruimte is zodat het apparaat bij gebruik voldoende kan koelen. De vrije ruimte aan elke zijde moet minstens 10 centimeter bedragen.

Zorg dat de batterijen op de juiste wijze in de afstandsbediening zitten.

Sluit de speler aan op uw TV en aan andere A/V apparatuur op de juiste wijze. Maak gebruik van de HDMI aansluiting om het beste mogelijk kwaliteit te krijgen voor video en audio. Wees er zeker van dat de speler en al het aan te sluiten apparatuur UIT staat als u deze aansluit aan de speler. Zorg dat u de juiste ingangen en uitgangen gebruikt van uw TV en andere apparatuur.

Schakel de speler nu aan. De speler zal een "eerste installatie" procedure doorlopen die ongeveer 1 minuut zal duren. Gedurende die procedure zal het DUNE logo op uw TV verschijnen.

- Als u het DUNE logo niet ziet verschijnen als u de speler heeft aangezet, kan het betekenen dat er een verbindingfout is tussen de TV en de speler. Controleer dan of u de juiste ingangen en uitgangen heeft verbonden met elkaar met gebruikmaking van de juiste kabels. Controleer of alle kabels juist zijn aangesloten.
- Als u het DUNE logo ziet, na aanzetten van de DUNE speler, en na verdwijning van dit logo na minstens 10 seconden geen ander beeld meer ziet op uw TV is mogelijk de verkeerde **MODE** ingeschakeld. Drukt u dan op de MODE knop van de afstandsbediening, en daarna drukt u op een van de volgende toetsen van uw afstandsbediening „1“, „2“, „3“, „4“ of „5“ om te schakelen naar een andere video output mode (zie ook „Snel instelling van de Video Output Mode“).

Uiteindelijk zult u het beginscherm zien van het hoofdmenu van de speler. Het beginscherm toont items om aan te kiezen van de speler functies en aangesloten randapparatuur welk aan de speler gekoppeld is.

Verander de speler settings naar uw eigen behoefte door de „Setup“ aan te kiezen in het beginscherm (of door op de „**SETUP**“ knop van de afstandsbediening te drukken). In het bijzonder kunt u de video weergave, audio instellingen en het netwerk via deze keuze aanpassen.

Om de juiste taalinstelling te kiezen van het menu gaat u naar "Setup / General / Interface language".

Gebruik de volgende knoppen van de afstandsbediening „Links“, „Rechts“, „Op“, „Neer“, „ENTER“, „RETURN“ om te navigeren door het spelermenu. Gebruik de „MENU“ knop van de afstandsbediening om weer te geven welke commando's er mogelijk zijn. Gebruik de „INFO“ knop van de afstandsbediening om informatie te verkrijgen van het geselecteerde item.

Snel instelling van de Video Output Mode

Via de „**MODE**“ knop op de afstandsbediening kunt u snel de video output mode aanpassen, zonder dat u door het hele menu moet doorlopen. Soms moet u deze knop gebruiken als er geen beeld zichtbaar is op uw TV als u deze zojuist heeft aangesloten.

Drukt u dan op de **MODE** knop van de afstandsbediening, en daarna drukt u op een van de volgende toetsen van uw afstandsbediening „1“, „2“, „3“, „4“ of „5“ om te schakelen tussen de verschillende video output modes, welk respectievelijk zijn:

1. Composiet/Component, PAL
2. Composiet/Component, NTSC
3. HDMI, 480i, 60 Hz
4. HDMI, 720p, 60 Hz
5. HDMI, 1080i, 60 Hz

Als u nu beeld ziet op uw TV, druk dan op de „**ENTER**“ knop van de afstandsbediening, en ga daarna naar het setup menu van de speler om, indien gewenst, een fijn afstemming uit te voeren om de beeldkwaliteit te optimaliseren.

Let op: De procedure van Snel instelling van de Video Output Mode kan niet worden gebruikt tijdens het afspelen. Om er zeker van te zijn dat deze procedure gebruik kan worden, zet de speler dan uit en daarna weer aanschakelen en minstens 1 minuut wachten zodat het laden van de speler voltooid is.

Koppelen van USB apparaten

Zorg dat u in het hoofdmenu van de speler bent, en sluit dan een USB apparaat aan op de speler. De speler zal het USB apparaat herkennen en de inhoud weergeven in het menu onder het USB apparaat.

Als u een USB apparaat gebruikt die een eigen voeding heeft (zoals een USB HDD), gebruik dan altijd die externe voeding van dat apparaat t.b.v. de stroomvoorziening. De stroom welk door de USB poort van de speler komt t.b.v. een extern apparaat is nooit voldoende om voldoende stroom te leveren voor zulke apparaten waardoor deze dan niet goed, of niet kunnen werken.

Koppel of schakel het USB apparaat nooit uit als er schrijfhandelingen gaande zijn, uw data zal dan verloren kunnen gaan.

Aansluiten eSATA Drives

Om een eSATA drive aan te kunnen sluiten dient u de speler en de eSATA drive uit te zetten. Verbind de eSATA drive aan de eSATA poort van de speler (en sluit de eSATA drive aan op zijn stroomvoorziening), schakel de eSATA drive aan, en, als laatste pas de speler aanzetten. De speler zal de eSATA drive herkennen, en zal een item weergeven in het hoofdmenu die correspondeert met de eSATA drive.

Schakel eerst de speler en daarna de eSATA drive uit als u de eSATA drive wil loskoppelen.

Formatteren HDD

Om een HDD te formatteren die gekoppeld is aan de speler, kies de drive in het hoofdmenu aan van de speler, druk de „INFO“ knop van de afstandsbediening en kies „Format Disk“ (om de gehele schijf te formatteren) of „Format Partition“ (Om een partitie aan te maken op een reeds gebruikte schijf). De speler zal formateren met het „EXT2“ filesystem. Let op: Om HDD's te gebruiken die geformatteerd zijn met de speler op een Windows PC dient u additionele software op die PC zoals „EXT2FSD“ (<http://www.ext2fsd.com/>).

Toegang tot Netwerk schijven

Als u een netwerkschijf wilt gebruiken met het SMB of NFS protocol, zorg dan dat u in het beginscherm zit van het hoofdmenu, druk op „MENU“ knop van de afstandsbediening, en kies „Create Network Folder“, vul daarna de parameters van het netwerk in. De speler zal nu items weergeven van het door u geconfigureerd netwerk in het hoofdmenu.

Om te kunnen bladeren in het netwerk met gebruikmaking van SMB of UPnP protocol, gebruik het „Network Browser“ item in het hoofdmenu van de spelermenu. Let op: Als niet alle onderdelen van het netwerk zichtbaar zijn in het menu van de speler, wacht dan een paar minuten en probeer het opnieuw, of druk op de „MENU“ knop van de afstandsbediening en kies dan het „Refresh“ commando aan om het scherm te vernieuwen).

Stroom uit en Standby stand

Om de speler helemaal uit te schakelen dient u de knop op de speler aan de voorkant in te drukken. Nadat u de speler heeft uitgeschakeld is het aanbevolen minstens 1 minuut te wachten aler deze opnieuw in te schakelen. Let op: Schakel de speler niet uit al ser schrijfhandelingen plaatsvinden op externe USB apparaten. Uw data kan dan verloren gaan.

Om de speler in de standby mode te zetten, drukt u op de „POWER“ knop van de afstandsbediening. In de standby mode, zal de speler geen signal afgeven naar de video output, maar werkt nog wel. Bijvoorbeeld, als u opslagapparaten aan us speler heft gekoppeld dan kunt u ze nog benaderen via het netwerk („NAS“ functie van de speler). Om de Standby mode te verlaten, drukt u nogmaals op de „POWER“ knop van de afstandsbediening. De standby mode verlaten duurt ongeveer 2 seconde. Let op: Als de speler in de standby mode staat verbruikt deze nog steeds stroom! Het is niet aan te bevelen om de speler in de standby mode te zetten als u deze een langere periode niet gaat gebruiken.

U kunt ook de speler definitief uit zetten door de „POWER“ knop van de afstandsbediening in te drukken (zie ook „Miscellaneous / Advanced / POWER remote button“ in het setup menu van de speler).

NAS (Network Attached Storage)

U kunt uw opslagmedia benaderen van uw netwerk met het FTP en SMB protocol. Op een Windows PC, type dan „ftp://ip_address“ of „\\ip_address“ in the Windows explorer adresbalk, waarbij het „ip_address“ gelijk is aan het IP adres van de speler.

WiFi

U kunt een USB WiFi adapter gebruiken om de speler draadloos te communiceren met uw (draadloze) netwerk via WiFi.

Kijkt u voor support en informatie op USB WiFi adapters: http://dune-hd.com/support/hw_compat/

Beperkingen

Compatibiliteit van de speler met een specifiek hardware (A/V apparaten, netwerk apparaten, disk drives, enz.) zijn afhankelijk van de diverse fabrikanten (specifieke hardware modellen, specifieke hardware installaties en gebruik, configuratie van de speler en de hardware, enz.). Als de speler niet correct werkt met bepaalde hardware, probeer dan de instelling/configuratie aan te passen in de configuratie van de speler of de hardware, probeer de hardware op een andere wijze te gebruiken of probeer andere hardware.

Comptabiliteit van de speler met een specifieke mediabestanden (files, discs, enz.) hangt af van verschillende factoren (specifieke media encoding, specificatie van de configuratie van de speler, enz.). Als de speler niet correct het media bestand afspeelt, probeer dan de configuratie van de speler aan te passen of probeer het mediabestand op een andere wijze te coderen.

Firmware updaten van uw speler en meer informatie

Kijkt u regelmatig voor een update van de firmware op (welke het functioneren van uw speler en het verbeteren van de spelerfunctionaliteiten tot doel hebben): <http://dune-hd.com/firmware/>.

Kijk voor een uitgebreide en up-to-date documentatie en informatie op het gebied van speler gebruik op: <http://dune-hd.com/manuals/>, <http://dune-hd.com/support/>

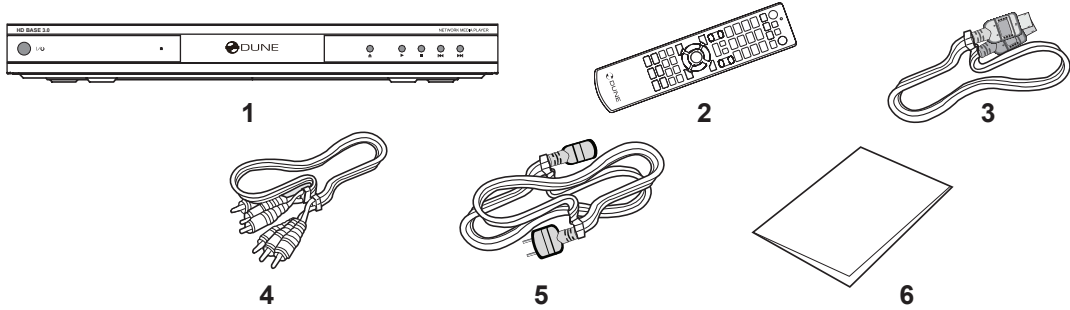
Introducción

Dune HD Base 3.0 es una solución todo en uno para la reproducción de video Full HD (1080p).

Características principales

- Nuevo procesador Sigma Designs 8642 para disfrutar de la reproducción y un rendimiento excelente con funciones interactivas.
- **Reproductor de disco duro:** conecte un disco duro al reproductor y reproduzca directamente el contenido desde el disco duro.
- **Reproductor en red:** conecte el reproductor a una red local y reproduzca el contenido directamente desde el PC o NAS (UPnP, SMB, NFS).
- **Reproductor de MKV:** Reproduce vídeo HD en un formato MKV y otros formatos de archivos de vídeo nuevos, incluido vídeo HD de alta calidad con bitrate muy alto.
- **3 puertos USB Host:** para conectar discos duros, unidades flash USB, lectores de tarjetas USB y otros dispositivos de almacenamiento USB y reproducir directamente sus contenidos multimedia.
- **Puerto eSATA:** para conectar un disco duro a través de la interfaz eSATA.
- **HDD mobile rack:** fácil y rápida instalación interna de 3,5" SATA HDD.
- **HDMI 1.3:** Garantiza la mejor calidad posible de vídeo HD y audio de alta definición.
- **Descodificadores de audio 7.1 y salidas de audio 7.1:** Para conseguir un excelente sonido envolvente con cualquier equipo de audio.
- **Conectores standard A/V:** Use S/PDIF óptica de audio, S/PDIF coaxial de audio, audio estéreo, video por componentes, salidas de vídeo compuesto para conectar fácilmente cualquier equipo A/V.
- **Salida de vídeo flexible:** salida de vídeo en cualquier resolución y formato (desde SD a 1080p, 24p/PAL/NTSC).
- **Mejora de la resolución:** ampliación de la escala de alta calidad de DVD y cualquier otro contenido de vídeo SD a Full HD (1080p) o de otra resolución de alta definición
- **Explorador de archivos:** Para la mejor gestión de archivos (copiar, mover, borrar, renombrar, organizar).
- **Funciones extra:** Visor de fotos Full HD, radio por Internet, multidifusión UDP/RTP de flujos de reproducción y grabación, NAS (SMB, FTP), cliente de BitTorrent, colección de cover arts y navegación por iconos (con gráficos Full HD).

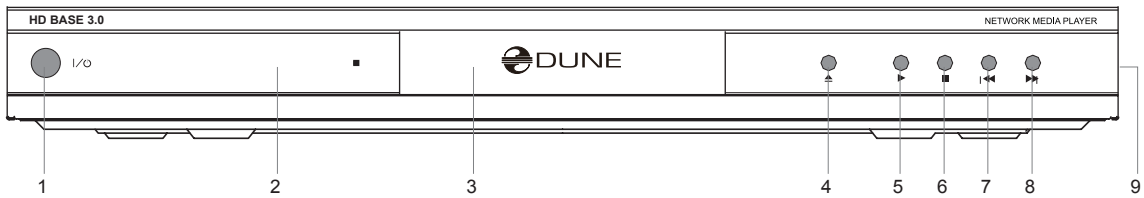
Contenido del paquete



- 1. Dune HD Base Media Player 3.0
- 2. Mando a distancia (pilas no incluidas)
- 3. Adaptador de corriente
- 4. Cable A/V
- 5. Cable HDMI
- 6. Guía de inicio rápido

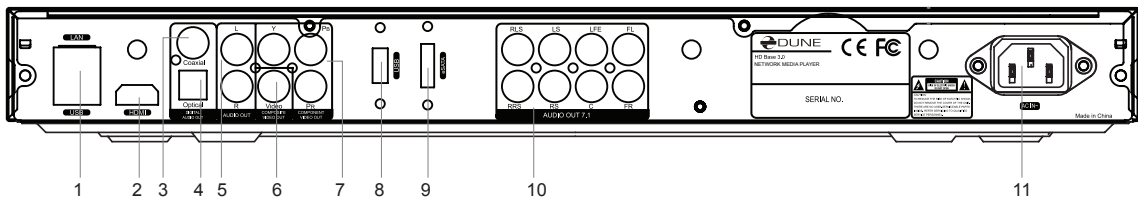
Exterior

Vista frontal:



- 1. Interruptor de encendido
- 2. Display
- 3. HDD rack
- 4. EJECT
- 5. PLAY / PAUSE
- 6. STOP
- 7. ANTERIOR
- 8. SIGUIENTE
- 9. USB 2.0 host

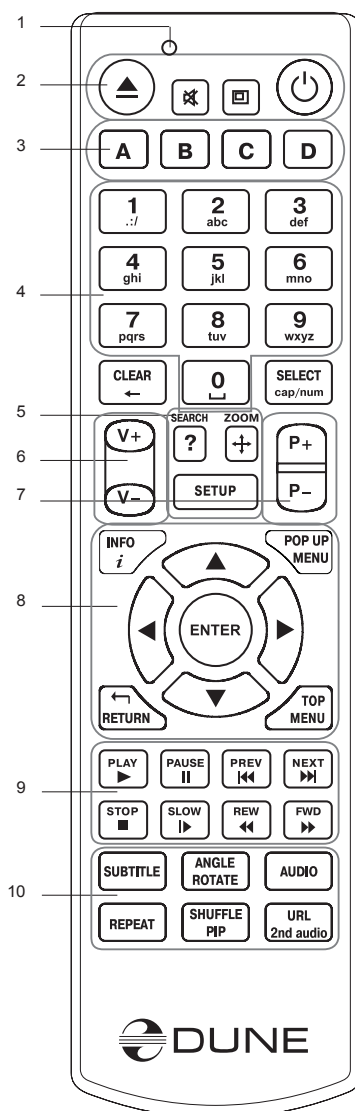
Vista trasera:



- 1. LAN y USB 2.0 host
- 2. HDMI 1.3
- 3. Salida audio digital coaxial
- 4. Salida óptica de audio digital
- 5. Salida de audio Estéreo analógico (izquierda / derecha)
- 6. Salida de vídeo compuesto
- 7. Salida de vídeo Componentes (Y / Pb / Pr)
- 8. USB 2.0 host
- 9. Host eSATA
- 10. Salida de audio analógico Multicanal (7.1)
- 11. Ac Power

Control remoto

1. Indicador de comandos - parpadea en respuesta a la presión del botón RC.
2. **EJECT** - abrir / cerrar la bandeja de la unidad óptica. **MUTE** - desactiva el sonido de encendido / apagado. **MODE** - cambiar el modo de salida de vídeo, el control de algunas funciones de otro reproductor. **POWER** - cambiar el modo de espera.
3. **A (roja), B (Verde), C (amarillo), D (Azul)** - control de la reproducción y algunas funciones de otro reproductor.
4. **0-9** - introducir números y texto, control de algunas funciones de otro reproductor.
5. **BUSQUEDA** - saltar a una posición de reproducción especificada. **ZOOM** - cambiar el factor de zoom para el contenido de vídeo que se está reproduciendo. **CONFIGURACIÓN** - entrar / salir del menú de configuración, ajustar la configuración de reproducción durante la reproducción.
6. **V+ / V-** (aumento de volumen / volumen abajo) - ajustar el volumen.
7. **P+ / P-** (Page Up / Page Down) - desplazarse hacia arriba y hacia abajo en varias listas, control de algunas funciones de otro reproductor
8. Flechas (IZQUIERDA, DERECHA, ABAJO, ARRIBA), **ENTER**, **RETURN**, **MENÚ ARRIBA**, **MENÚ EMERGENTE**, **INFO** - botones principales para controlar el reproductor (navegar por los elementos de la pantalla, abrir/utilizar el elemento seleccionado en ese momento, volver a la pantalla anterior, ir al menú principal, mostrar el menú emergente con las acciones, información que se presenta, control de algunas funciones de otro reproductor).
9. **PLAY**, **PAUSA**, **STOP**, **LENTO**, **REW**, **FWD**, anterior, siguiente - control de la reproducción.
10. **SUBTÍTULOS**, **AUDIO URL/2ND**, **ANGULO/ROTAR**, **REPETIR**, **SHUFFLE / PIP**, **AUDIO**, Control de la reproducción y algunas funciones de otro reproductor.



NOTAS:

- Utilice pilas alcalinas AAA.
- Observe la polaridad al insertar las pilas.
- Dirija el mando a distancia hacia el reproductor. No debe haber obstáculos entre el mando a distancia y el reproductor.
- Si sólo funciona en distancias cortas o deja de funcionar, asegúrese de reemplazar las baterías.
- Algunos botones del mando a distancia pueden tener varias funciones, dependiendo del modo actual.
- Algunos botones del mando a distancia pueden estar disponibles sólo en determinados modelos de reproductor o sólo durante la reproducción de un cierto contenido.

Antes de empezar a comenzar a utilizar

Retire la película de protección transparente del panel frontal del reproductor para garantizar el buen aspecto estético del reproductor.

Asegúrate de que haya suficiente espacio alrededor del jugador para su correcta refrigeración. El espacio en cada lado debe ser no inferior a 10 cm.

Asegúrese de que el mando a distancia tiene las baterías instaladas.

Conecte el reproductor al televisor y otro a equipo A/V de manera adecuada. Utilizar una conexión HDMI para obtener la mejor calidad posible de vídeo y audio. Asegúrese de apagar el reproductor antes de conectarlos. Asegúrese de que su TV y otros equipos están configurados de manera adecuada.

Encienda el reproductor. El reproductor llevará a cabo su procedimiento de carga inicial, que puede tardar hasta 1 minuto. Durante el procedimiento de carga, el logotipo "Dune" se muestra en el televisor.

- Si usted no ve el logotipo "Dune" en el televisor cuando se enciende el reproductor, puede significar algún problema con la conexión entre el reproductor y el televisor o que una entrada de vídeo está mal escogida. En tal caso, compruebe los cables y los ajustes del televisor, las conexiones, o trate de utilizar cables diferentes o una manera diferente de conectar el reproductor al TV.
- Si aparece el logo "Dune" logo en el televisor cuando se enciende el reproductor, pero la imagen desaparece y no hay ninguna imagen durante al menos 10 segundos, puede significar que el modo de salida de vídeo está mal configurado en el reproductor. En tal caso, pulse el botón **"MODE"** del mando a distancia, a continuación pulse uno de los botones del mando **"1"**, **"2"**, **"3"**, **"4"** o **"5"** para cambiar a otro modo de salida de vídeo (véase el apartado "ajuste rápido de Salida de Vídeo").

Por último, usted debe ver la pantalla principal del menú del reproductor. La pantalla principal muestra los elementos que permiten utilizar diferentes funciones del reproductor y acceder a todos los dispositivos de almacenamiento y unidades de red conectados al reproductor.

Ajustar la configuración del reproductor, según sea necesario, utilizando "Configuración" en la pantalla principal del menú del reproductor (o pulsando el botón "Configuración" del mando a distancia). Puede ajustar la configuración de vídeo, ajustes de audio, y la configuración de red.

Para elegir el idioma del menú del reproductor, utilice "Setup / General / Interface language".

Use los botones del mando a distancia **"IZQUIERDA"**, **"DERECHA"**, **"ARRIBA"**, **"ABAJO"**, **"ENTER"**, **"VOLVER"** para navegar por el menú del reproductor. Utilice el botón **"MENU"** del mando a distancia para mostrar la lista de comandos disponibles. Utilice el botón "Info" del mando a distancia para mostrar la información sobre el elemento seleccionado.

Modo Configuración rápida de Salida de Video

El botón **"MODE"** del mando a distancia permite la configuración rápida del modo de salida de vídeo sin entrar en el menú de configuración del reproductor. Esta forma de configuración de salida de vídeo puede ser necesario si no ve ninguna imagen en la pantalla después de conectar el reproductor a un televisor.

Pulse el botón **"MODE"** del mando a distancia y luego uno de los botones **"1"**, **"2"**, **"3"**, **"4"**, o **"5"** para cambiar a uno de los modos de salida de vídeo siguientes, respectivamente:

1. Compuesto / Componentes, PAL,
2. Compuesto / Componentes, NTSC
3. HDMI, 480i, 60 Hz
4. HDMI, 720p, 60 Hz
5. HDMI, 1080i, 60 Hz

Después de ver una imagen en el televisor, presione el botón **"ENTER"** del mando, y luego vaya al menú de configuración del reproductor para realizar una configuración más precisa del modo de salida de vídeo si es necesario.

NOTA: El procedimiento de configuración rápida de modo de salida de vídeo no se puede utilizar durante la reproducción. Para asegurarse de que este procedimiento puede ser utilizado, apague el reproductor, a continuación encienda el reproductor y espere 1 minuto para garantizar que el reproductor ha finalizado.

Conexión de dispositivos USB

Para conectar una unidad USB, asegúrese de que está en la pantalla principal del menú del reproductor y conecte la unidad USB a un puerto USB del reproductor. El reproductor reconoce la unidad USB, y mostrará un icono que corresponde a la unidad USB en la pantalla principal.

Al conectar un dispositivo USB que requiere una conexión a la red eléctrica (como disco duro USB), utilice una fuente de alimentación externa para la unidad USB. La potencia suministrada por los puertos USB del reproductor puede no ser suficiente para el correcto funcionamiento de la unidad USB.

No desconecte o apague la unidad USB cuando la operación de escritura se encuentra en progreso.

Conectar las unidades eSATA

Para conectar una unidad eSATA, apague el reproductor y la unidad eSATA; conecte la unidad eSATA al puerto eSATA del reproductor (y conecte la unidad eSATA a su fuente de alimentación). Encienda la unidad eSATA, y, por último, encienda el reproductor. El reproductor reconoce la unidad eSATA, y mostrará un icono que corresponde a la unidad de disco eSATA en la pantalla principal del menú del reproductor.

Apague y desenchufe la unidad eSATA sólo después de apagar el reproductor.

Formatear disco duro

Para formatear un disco duro conectado al reproductor, seleccione la unidad en la pantalla principal del menú del reproductor, pulse el botón "Info" del mando a distancia y seleccione "Format Disk" (formatear el disco entero) o "formato de partición" (o formatear solamente a una partición de disco que ya existe). El reproductor formateará el disco utilizando el formato "EXT2" del sistema de ficheros. NOTA: Para utilizar los discos formateados por el reproductor en un PC con Windows, puede que tenga que instalar software adicional en el PC, tales como "EXT2FSD" (<http://www.ext2fsd.com/>).

Acceso a las unidades de red

Para conectar una unidad de red utilizando el protocolo SMB o NFS, asegúrese de que está en la pantalla principal del menú del reproductor, pulse el botón "MENU" del mando a distancia, y seleccione "Crear carpeta de red" y luego complete los parámetros de la unidad de red cuando sea necesario. El reproductor mostrará un icono que corresponde a la unidad de red configurada en la pantalla principal.

Para navegar por la lista de recursos de la red accesible a través de SMB o protocolos UPnP, utilizar "Navegador de red (network browser)" en la pantalla principal del menú del reproductor. NOTA: Si algunos recursos de red no se muestran en el reproductor, espere unos minutos y vuelva a intentar (o pulse el botón "MENU" del mando a distancia y elegir la opción "Actualizar").

Apagado y modo en espera

Para apagar el reproductor totalmente, pulse el interruptor de encendido/apagado en el panel frontal. Después de que el reproductor está apagado, se recomienda esperar aproximadamente 1 minuto antes de encenderlo de nuevo. NOTA: No apague el reproductor si alguna unidad está conectada al reproductor y la operación de escritura se encuentra en progreso.

Para poner el reproductor en el modo de espera, pulse el botón de encendido (power) del mando a distancia. En el modo de espera, el reproductor no produce ninguna señal en la salida de vídeo, pero sigue funcionando. Por ejemplo, si usted tiene algunos de los dispositivos de almacenamiento conectados al reproductor, usted aún puede acceder a ellos desde la red ("función NAS" del reproductor). Para salir del modo de espera, presione el botón de encendido del mando a distancia de nuevo. NOTA: Cuando el reproductor está en el modo de espera, sigue consumiendo energía. No se recomienda mantener el reproductor en el modo de espera durante un tiempo si no lo necesita.

Alternativamente, puede configurar el reproductor para apagarse completamente al pulsar el botón de encendido del mando a distancia (ver "Varios / Avanzado / botón de encendido remoto" en el menú de configuración del reproductor).

NAS (Network Attached Storage)

Se puede acceder a los dispositivos de almacenamiento conectados al reproductor desde la red local a través de FTP y los protocolos SMB. En un PC con Windows, simplemente escriba "ftp://ip_address" o "\\ dirección IP" en el explorador de Windows, donde "dirección IP" es la dirección IP del reproductor.

WiFi

Usted puede utilizar un adaptador USB WiFi compatible para conectar el reproductor a la red local a través de la red WiFi.

Consulte aquí para la información sobre el soporte de adaptadores compatibles USB WiFi: http://dune-hd.com/support/hw_compat/.

Limitaciones

Compatibilidad del reproductor con un hardware especial (equipos de red, discos duros, etc.) puede depender de varios factores (modelo de hardware en particular, detalles de la instalación y el uso de hardware, la configuración del reproductor y el hardware, etc.) Si el reproductor no funciona correctamente con un hardware en particular, intente ajustar la configuración del reproductor o del hardware; pruebe a utilizar el hardware de una manera diferente, o trate de utilizar algún otro hardware.

La compatibilidad del reproductor con un contenido multimedia en particular (tipos de archivos, discos, etc.) puede depender de varios factores (características específicas de la codificación del contenido, detalles de la configuración del reproductor, etc.) Si el reproductor no reproduce correctamente con un contenido particular, trate de ajustar la configuración del reproductor, o trate de utilizar el contenido multimedia codificado de una forma diferente o cambiar la codificación del fichero.

Actualización de su reproductor y más información

Por favor, acceda al siguiente link para obtener versiones actualizadas de firmware del reproductor (que puede mejorar el funcionamiento y ampliar las posibilidades del reproductor): <http://dune-hd.com/firmware/>

Por favor, acceda al siguiente link para más detalles y actualizar la documentación sobre el uso del reproductor: <http://dune-hd.com/manuals/>, <http://dune-hd.com/support/>

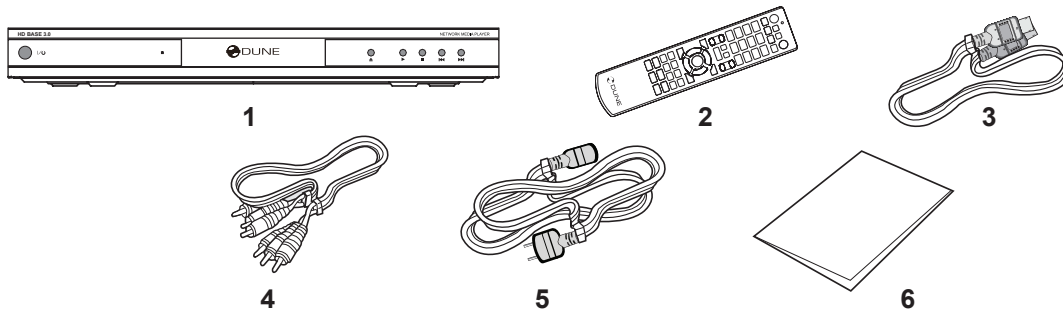
Введение

Dune HD Base 3.0 представляет собой решение «все-в-одном» для воспроизведения видео вплоть до Full HD (1080p).

Основные особенности

- **Новейший процессор Sigma Designs 8642:** обеспечивает отличное воспроизведение и высокую скорость работы с интерактивными возможностями.
- **Проигрыватель с жесткого диска:** подключение жесткого диска к проигрывателю и воспроизведение содержимого непосредственно с этого диска.
- **Сетевой проигрыватель:** подключение проигрывателя к локальной сети и воспроизведение содержимого напрямую с ПК или NAS(UPnP, SMB, NFS).
- **Проигрыватель MKV:** воспроизведение HD-видео в популярном формате MKV, а также в других современных форматах видеофайлов, включая HD-видео высочайшего качества с очень высоким битрейтом.
- **3 порта USB:** удобное подключение жестких дисков, накопителей USB-Flash, кард-ридеров и других USB-устройств хранения данных.
- **Порт eSATA:** подключение жесткого диска через наиболее производительный интерфейс eSATA.
- **HDD mobile rack:** легкое и быстрое подключение внутреннего 3,5" SATA HDD.
- **HDMI 1.3:** обеспечивает наилучшее качество HD-видео и HD-аудио.
- **Декодирование звука 7.1 и аудиовыходы 7.1:** предлагается отличное окружающее звучание с любым аудиооборудованием.
- **Полный набор стандартных аудио-видеоразъемов:** оптический аудиовыход S/PDIF, коаксиальный аудиовыход S/PDIF, стереовыход, компонентный видеовыход, композитный видеовыход для удобного подключения любого аудио-видеооборудования.
- **Гибкая система вывода видео:** вывод видео в любом разрешении и формате (от SD до 1080p, 24p/PAL/NTSC).
- **Увеличение разрешения (upscaling):** высококачественное повышение разрешения DVD и любых других SD-видеоматериалов до Full HD (1080p) или другого HD-разрешения.
- **Файловый браузер:** удобный файловый браузер с развитыми возможностями манипуляции файлами (копирование, перемещение, удаление, переименование, организация).
- **Дополнительные функции:** просмотр фотографий в режиме Full HD, интернет-радио, воспроизведение и запись широкоэмитательных (multicast) потоков UDP/RTP, списки воспроизведения, NAS (SMB, FTP), клиент BitTorrent, поддержка медиакolleкций с показом обложек и значков (с графикой Full HD).

Содержимое коробки

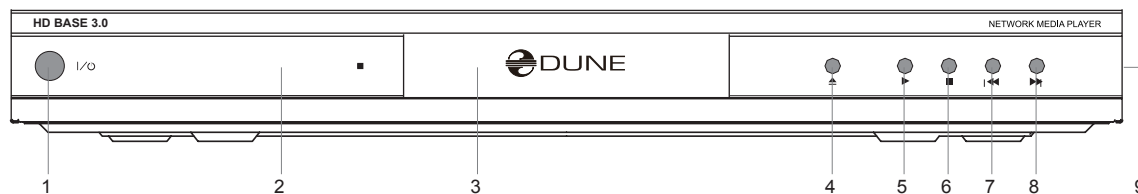


1. Проигрыватель Dune HD Base 3.0
2. Пульт управления (батарейки могут не входить в комплект)
3. Шнур питания
4. Аудио-видеокабель
5. Кабель HDMI
6. Краткое руководство

ПРИМЕЧАНИЕ: Другие аксессуары (опционально) могут дополнительно включаться в комплект поставки в зависимости от конфигурации проигрывателя, региона и дистрибьютора, такие как CD с дополнительной документацией и/или демонстрационным содержимым и т.п.

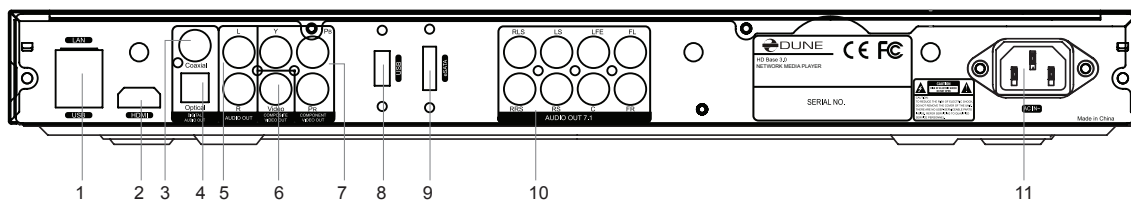
Внешний вид

Вид спереди:



1. Выключатель питания
2. Дисплей
3. HDD гаск
4. Извлечение диска (EJECT)
5. Воспроизведение/пауза (PLAY/PAUSE)
6. Остановка (STOP)
7. Переход к предыдущему фрагменту (PREV)
8. Переход к следующему фрагменту (NEXT)
9. USB 2.0 host

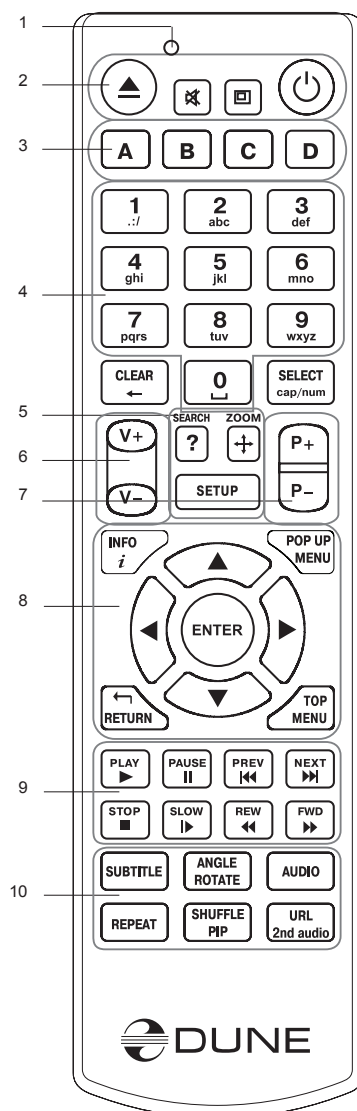
Вид сзади:



1. LAN и USB 2.0 host
2. HDMI 1.3
3. Коаксиальный цифровой аудиовыход
4. Оптический цифровой аудиовыход
5. Аналоговый стереовыход (левый/правый)
6. Композитный видеовыход
7. Компонентный (Y/Pb/Pr) видеовыход
8. USB 2.0 host
9. eSATA host
10. Многоканальный (7.1) аналоговый аудиовыход
11. Питание от сети

Пульт управления

1. Индикатор команды — мигает в ответ на нажатия кнопок пульта.
2. **EJECT** — открытие/закрытие лотка оптического привода. **MUTE** — выключение и включение звука. **MODE** — переключение режимов видеовыхода; управление некоторыми другими функциями проигрывателя. **POWER** — перевод проигрывателя в/из режима ожидания.
3. **A (красная), B (зеленая), C (желтая), D (синяя)** — управление воспроизведением и некоторыми другими функциями проигрывателя.
4. **0–9** — ввод цифр и текста; управление некоторыми другими функциями проигрывателя.
5. **SEARCH** — переход к заданной позиции воспроизведения. **ZOOM** — изменение масштаба воспроизводимых видеоматериалов. **SETUP** — вход/выход в меню настроек; настройка параметров воспроизведения во время воспроизведения.
6. **V+/V-** (увеличение громкости / уменьшение громкости) — изменение громкости.
7. **P+/P-** (страница вверх / страница вниз) — прокрутка вверх и вниз в различных списках; управление некоторыми другими функциями проигрывателя.
8. Стрелки (**ВЛЕВО, ВПРАВО, ВНИЗ, ВВЕРХ**), **ENTER, RETURN, TOP MENU, POP UP MENU, INFO** — основные кнопки управления проигрывателем (выбор элементов на экране, выбор/открытие текущего элемента, возврат к предыдущему экрану, переход к главному меню, вывод контекстного меню с действиями, показ информации, управление некоторыми другими функциями проигрывателя).
9. **PLAY, PAUSE, STOP, SLOW, REW, FWD, PREV, NEXT** — управление ходом воспроизведения.
10. **SUBTITLE, URL/2nd audio, ANGLE/ROTATE, REPEAT, SHUFFLE/PIP, AUDIO** — управление воспроизведением и некоторыми другими функциями проигрывателя.



Примечания:

- Используйте щелочные (alkaline) батарейки типа AAA.
- Соблюдайте полярность при установке батареек.
- Направляйте пульт на проигрыватель. Между пультом и проигрывателем не должно быть препятствий.
- Если пульт работает только с небольшого расстояния, замените батарейки.
- Некоторые кнопки пульта могут иметь несколько значений в зависимости от режима работы проигрывателя.
- Некоторые кнопки пульта могут работать только в некоторых режимах работы проигрывателя или при воспроизведении материалов определенного типа.

Начало работы

Удалите прозрачную защитную пленку с передней панели проигрывателя для получения хорошего внешнего вида.

Убедитесь, что вокруг проигрывателя достаточно места для хорошего охлаждения. Пространство с каждой стороны должно быть не менее 10 см.

Убедитесь, что в пульт вставлены батарейки.

Подключите проигрыватель к телевизору и другому аудио-видеооборудованию должным образом. Используйте HDMI-подключение для получения максимального качества видео и звука. Убедитесь, что проигрыватель и все соответствующее аудио-видеооборудование выключено при проведении подключений. Убедитесь, что телевизор и прочее аудио-видеооборудование настроено на использование нужных входов.

Включите проигрыватель. Он проведет процедуру первоначального запуска, которая займет около минуты. Во время этой процедуры на экране телевизора будет показан логотип «DUNE».

- Если вы не видите логотипа «DUNE» на экране телевизора после включения проигрывателя, это может означать проблему соединения проигрывателя и телевизора, а также выбор неправильного видеовыхода в телевизоре или аудио-видеоресивере/разветвителе. В этом случае, перепроверьте кабели и настройки телевизора или аудио-видеоресивера/разветвителя, или используйте другие кабели или другой способ подключения к телевизору.
- Если вы видите логотип «DUNE» на экране телевизора после включения проигрывателя, но затем изображение исчезает и ничего не появляется в течение хотя бы 10 секунд, это может означать, что в проигрывателе выбран неверный видеорежим. В этом случае, нажмите кнопку пульта «**MODE**», а затем одну из кнопок «**1**», «**2**», «**3**», «**4**» или «**5**» для включения другого видеорежима (см. "Быстрое изменение видеорежима").

В результате, вы должны увидеть главный экран меню проигрывателя. На главном экране показаны элементы, предоставляющие доступ к основным функциям проигрывателя и к содержимому всех подключенных к проигрывателю накопителей и сетевых дисков.

Настройки проигрывателя можно изменить, воспользовавшись элементом «Настройки» на главном экране меню проигрывателя (также можно воспользоваться кнопкой пульта «**SETUP**»). В частности, можно настроить параметры воспроизведения видео и аудио, а также параметры подключения к сети.

Для выбора языка меню проигрывателя, используйте настройку "Setup / General / Interface language" .

Используйте кнопки пульта «**ВЛЕВО**», «**ВПРАВО**», «**ВВЕРХ**», «**ВНИЗ**», «**ENTER**», «**RETURN**» для управления меню проигрывателя. Кнопка пульта «**MENU**» предназначена для показа списка доступных команд. Кнопка пульта «**INFO**» выводит информацию о выбранном элементе.

Быстрое изменение видеорежима

Кнопка пульта «**MODE**» позволяет быстро настроить видеорежим видеовыхода без входа в меню настроек проигрывателя. Этот способ может понадобиться, если вы не видите изображение на экране после подключения проигрывателя к телевизору.

Нажмите кнопку пульта «**MODE**» и затем одну из кнопок «**1**», «**2**», «**3**», «**4**» или «**5**» для включения одного из следующих видеорежимов:

1. Композитный/Компонентный, PAL
2. Композитный/Компонентный, NTSC
3. HDMI, 480i, 60 Гц
4. HDMI, 720p, 60 Гц
5. HDMI, 1080i, 60 Гц

После того, как изображение на экране появилось, нажмите «**ENTER**», а затем зайдите в меню настроек проигрывателя для более детальной настройки видеорежима, если это необходимо.

ПРИМЕЧАНИЕ: Процедура быстрого изменения видеорежима недоступна во время воспроизведения. Для того, чтобы гарантированно выполнить эту процедуру, выключите проигрыватель, затем включите его снова и подождите около одной минуты для того, чтобы он успел провести процедуру начальной загрузки.

Подключение USB-накопителей

Для подключения USB-накопителя убедитесь, что вы находитесь на главном экране меню проигрывателя, и подключите USB-накопитель к одному из USB-портов проигрывателя. Проигрыватель распознает накопитель, и на главном экране появится соответствующий USB-накопителю элемент.

При подключении USB-накопителя, которому требуется существенная мощность по питанию (например, жесткий диск), используйте внешний блок питания для USB-накопителя. Питание, которое предоставляет проигрыватель для USB-портов, может оказаться недостаточным для корректного функционирования USB-диска.

Не отсоединяйте и не выключайте USB-накопитель во время операций записи на него.

Подключение eSATA-накопителей

Для того, чтобы подключить eSATA-накопитель, выключите и проигрыватель, и накопитель, произведите подключение eSATA-накопителя к eSATA-порту (и подключите eSATA-накопитель к его источнику питания), включите eSATA-накопитель, и, в последнюю очередь, включите проигрыватель. Проигрыватель распознает eSATA-накопитель на главном экране появится соответствующий eSATA-накопителю элемент.

Выключайте и отсоединяйте eSATA-накопитель только после выключения проигрывателя.

Форматирование жесткого диска

Для форматирования подключенного к проигрывателю жесткого диска выберите элемент, соответствующий диску, на главном экране меню проигрывателя, нажмите кнопку пульта «INFO», и выберите элемент «Форматирование диска» (для того, чтобы отформатировать весь диск) или «Форматирование раздела» (чтобы отформатировать только уже существующий раздел). Проигрыватель произведет форматирование с использованием файловой системы «EXT2». ПРИМЕЧАНИЕ: Для использования дисков, отформатированных проигрывателем, на компьютере с Windows, может потребоваться установка на компьютер дополнительного программного обеспечения, например, такого, как «EXT2FSD» (<http://www.ext2fsd.com/>).

Доступ к сетевым дискам

Для подключения сетевого диска по протоколу SMB или NFS, убедитесь, что вы находитесь на главном экране меню проигрывателя, нажмите кнопку пульта «MENU» и выберите пункт «Создать сетевую папку», затем введите требуемые параметры сетевого диска. Проигрыватель будет показывать элемент, соответствующий этому сетевому диску, на главном экране.

Для просмотра списка доступных сетевых ресурсов по протоколу SMB или UPnP, воспользуйтесь элементом «Браузер сети» на главном экране меню проигрывателя. ПРИМЕЧАНИЕ: Если какие-то сетевые ресурсы не показываются проигрывателем, может потребоваться подождать несколько минут и повторить попытку (либо нажать кнопку пульта «MENU» и выбрать команду «Обновить»).

Выключение и режим ожидания

Для полного выключения проигрывателя используйте переключатель на передней панели. После того, как проигрыватель выключится, рекомендуется подождать около 1 минуты перед повторным включением. ПРИМЕЧАНИЕ: Не выключайте проигрыватель, если к нему подключены накопители и производится операция записи данных на них.

Для перевода проигрывателя в режим ожидания, используйте кнопку пульта «POWER». В режиме ожидания проигрыватель не выдает сигнал на видеовыход, но продолжает функционировать. Например, если к нему подключены накопители, они по-прежнему будут доступны из сети (функция «NAS» проигрывателя). Для выхода из режима ожидания нажмите кнопку пульта «POWER» еще раз. Выход из режима ожидания занимает всего несколько секунд. ПРИМЕЧАНИЕ: Когда проигрыватель находится в режиме ожидания, он по-прежнему потребляет значительное количество электроэнергии. Не рекомендуется надолго оставлять проигрыватель в режиме ожидания без необходимости.

В качестве альтернативы, можно настроить проигрыватель так, чтобы нажатие кнопки пульта «POWER» приводило к полному выключению проигрывателя (см. пункт меню настроек «Разное / Дополнительно / Кнопка пульта "POWER"»).

NAS (Network Attached Storage)

Можно получить доступ к накопителям, подключенным к проигрывателю, из локальной сети по протоколам FTP и SMB. На компьютере с Windows просто наберите «ftp://ip_address» или «\\ip_address» в Проводнике (Windows Explorer), где «ip_address» — IP-адрес проигрывателя.

WiFi

Можно использовать WiFi-адаптер, подключаемый по USB, для подключения проигрывателя к беспроводной (WiFi) локальной сети.

За информацией о поддерживаемых USB-WiFi-адаптерах обращайтесь на страницу: http://dune-hd.com/support/hw_compat/.

Ограничения

Совместимость проигрывателя с конкретным оборудованием (аудио-видеооборудование, сетевое оборудование, накопители и т.п.) может зависеть от различных факторов (конкретной модели оборудования, особенностей аппаратной инсталляции и ее использования, настроек проигрывателя и оборудования, и т.п.). Если проигрыватель не работает корректно с некоторым оборудованием, попробуйте изменить конфигурацию проигрывателя или оборудования, попробуйте использовать оборудование другим образом, либо использовать другое оборудование.

Совместимость проигрывателя с конкретным видом медиаматериалов (файлы, диски и т.п.) может зависеть от различных факторов (особенности кодирования медиаматериалов, особенности настроек проигрывателя и т.п.). Если проигрыватель не воспроизводит корректно некоторые медиаматериалы, попробуйте изменить настройки проигрывателя или использовать медиаматериалы, закодированный в отличном формате.

Обновление проигрывателя и получение дополнительной информации

Пожалуйста, проверяйте доступность обновления программного обеспечения проигрывателя («прошивки») на следующей странице (это может улучшить функциональность проигрывателя и расширить его возможности): <http://dune-hd.com/firmware/>.

Пожалуйста, обращайтесь к следующей странице для получения более подробной и актуальной документации и информации об использовании проигрывателя: <http://dune-hd.com/manuals/>, <http://dune-hd.com/support/>.

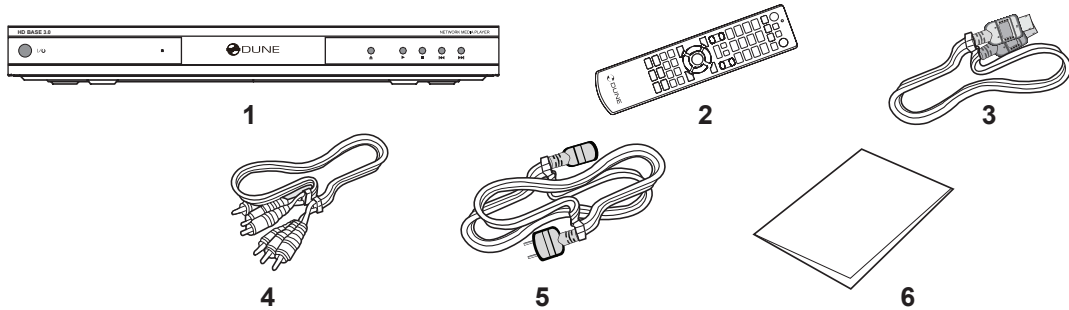
Введення

Dune HD Base 3.0 це інноваційне рішення «все в одному» для програвання відео Full HD (1080p).

Головні характеристики

- **Новітній Sigma Designs 8642 Media Processor:** насолоджуйтесь відмінним відтворенням та ефективністю інтерактивних можливостей.
- **HDD-плеєр:** підключення жорсткого диска до програвача та відтворення безпосередньо з нього.
- **Мережевий плеєр:** підключіть плеєр до локальної мережі та відтворіть контент безпосередньо з PC або NAS (UPnP, SMB, NFS).
- **MKV-плеєр:** відтворіть HD відео у відомому форматі MKV та інших сучасних відеоформатах, включаючи HD відео найкращої якості з високим бітрейтом.
- **3 USB-порти** для зручного підключення HDD, USB флеш-дисків, USB карт-рідерів та інших USB пристроїв зберігання.
- **eSATA порт:** підключайте HDD до найбільш ефективного eSATA інтерфейсу.
- **HDD mobile rack:** легко і швидко підключити внутрішній 3,5" SATA HDD.
- **HDMI 1.3:** забезпечення максимально можливої якості HD відео та HD аудіо.
- **7.1 аудіо декодери і 7.1 аудіо виходи:** отримайте відмінний об'ємний звук з будь-якого аудіообладнання.
- **Повний набір стандартних аудіо/відео роз'ємів:** використовуйте виходи S/PDIF optical audio, S/PDIF coaxial audio, stereo audio, component video, composite video для легкого підключення до будь-якого аудіо/відео устаткування.
- **Гнучкість відеовиходу:** вивід відео в будь-якому дозволі і форматі (від SD до 1080p, 24p/PAL/NTSC).
- **Підвищення якості:** підвищуйте якість DVD і будь-якого іншого відеоконтенту SD до Full HD (1080p).
- **Файловий браузер:** зручний файловий браузер з потужним управлінням файлами (копіювання, переміщення, видалення, перейменування, організація).
- **Додаткові функції:** Full HD переглядач фото, Інтернет-радіо, багатонапресні UDP/RTP потоки відтворення і запису, плейлисти, NAS (SMB, FTP), BitTorrent клієнт, медіа-колекції обкладинок з переглядом іконок (з Full HD графікою).

Комплект поставки:

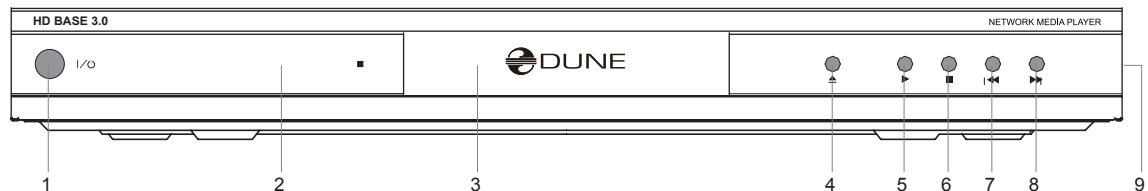


- | | | |
|---|--------------------|----------------------------------|
| 1. Dune HD Base Media Player 3.0 | 3. Кабель живлення | 5. Кабель HDMI |
| 2. Пульт дистанційного керування (батареї можуть бути не включені) | 4. A/V кабель | 6. Короткий посібник користувача |

ПРИМІТКА: Додаткові пункти (опційні) можуть входити в пакет, в залежності від конфігурації плеєра, регіону та дистриб'ютору, такі як компакт-диск з додатковою документацією та/або демо-контентом і т.д.

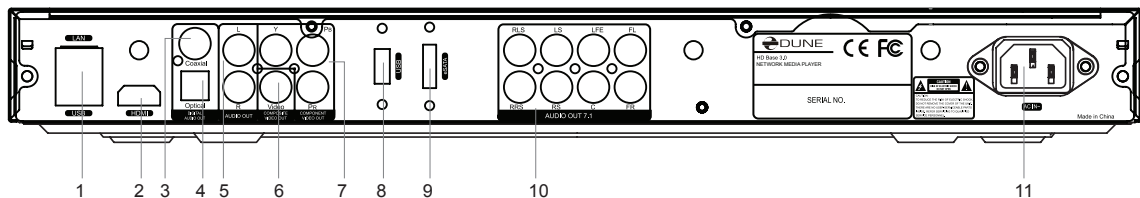
Зовнішній вигляд та розташування органів керування

Вид спереду:



- | | | |
|---------------------|------------------------|-----------------|
| 1. Вимикач живлення | 4. Кнопка EJECT | 7. Кнопка PREV |
| 2. Дисплей | 5. Кнопка PLAY / PAUSE | 8. Кнопка NEXT |
| 3. HDD rack | 6. Кнопка STOP | 9. USB 2.0 Host |

Вид ззаду:



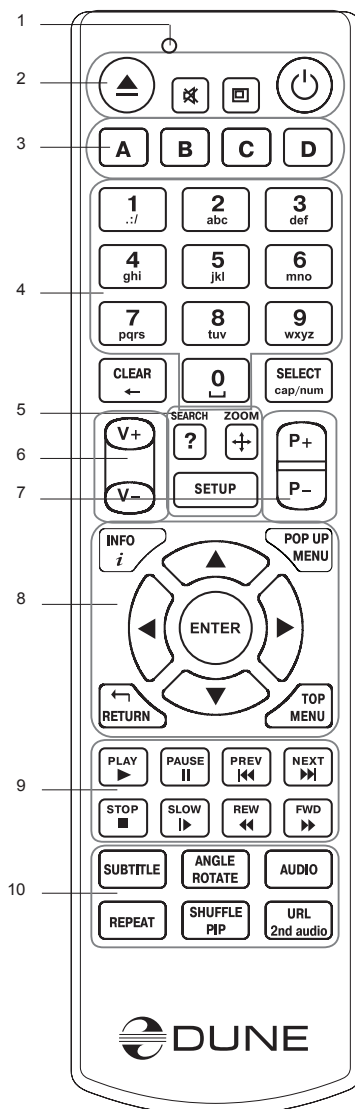
- | | |
|--|---|
| 1. LAN і USB 2.0 Host | 6. Композитний відеовихід |
| 2. HDMI 1.3 | 7. Компонентний (Y / Pb / Pr) відеовихід |
| 3. Коаксіальний цифровий аудіовихід | 8. USB 2.0 Host |
| 4. Оптичний цифровий аудіовихід | 9. eSATA Host |
| 5. Аналоговий стерео (Ліво/Право) аудіовихід | 10. Багатоканальний (7.1) аналоговий аудіовихід |
| | 11. Роз'єм для підключення кабелю живлення |

Пульт дистанційного керування (ПДК)

1. Індикатор командування - блимає у відповідь на натискання кнопки ПДК.
2. **EJECT** - відкрити / закрити лоток оптичного приводу. **MUTE** – Вимк/Ввімк гучність. **MODE** - перемикач режиму відеовиходу; контролювати деякі інші функції програвача. **POWER** - перемикач режиму очікування.
3. **A (Червона), B (Зелена), C (Жовта), D (Блакитна)** - керування відтворенням і деякими іншими функціями програвача.
4. **0-9** - введення цифр та тексту; контролювати деякі інші функції програвача.
5. **SEARCH** - Перейти до зазначеної позиції відтворення. **ZOOM** - зміна коефіцієнта масштабування для відео контенту, який відтворюється. **SETUP** - увійти/вийти з меню налаштувань; налаштувати відтворення Налаштування під час відтворення.
6. **V+/V-** (Гучність вгору/гучність вниз) - регулювання рівня гучності.
7. **P+ / P-** (сторінка вгору/сторінка вниз) - прокрутка вгору і вниз у різних списках; контролювати деякі інші функції програвача.
8. Стрілки (**ВЛІВО, ВПРАВО, ВНИЗ, ВГОРУ**), **ENTER, RETURN, TOP MENU, POP UP MENU, INFO** - основні кнопки для керування плеєром (переміщатися між пунктами на екрані, відкрити/використовувати обраний пункт, повернутися до попереднього екрану, перейти в головне меню, показувати спливаючі меню з діями, відображення інформації, керування деякими іншими функціями програвача).
9. **PLAY, PAUSE, STOP, SLOW, REW, FWD, PREV, NEXT** - керування відтворенням.
10. **SUBTITLE, URL/2nd audio, ANGLE/ROTATE, REPEAT, SHUFFLE/PIP, AUDIO** - керування відтворенням і деякими іншими функціями програвача.

Примітки:

- Використовуйте лужні батарейки AAA.
- Дотримуйтесь полярності при встановленні батарей.
- Спрямуйте пульт дистанційного керування на плеєр. Між ПДК і плеєром не повинно бути ніяких перешкод.
- Якщо ПДК функціонує лише на коротких відстанях або перестає функціонувати, не забудьте замінити батарейки.
- Деякі кнопки пульта ПДК можуть мати кілька функцій в залежності від поточного режиму плеєра.
- Деякі кнопки пульта дистанційного керування можуть бути доступні тільки в певних режимах плеєра або тільки під час відтворення певного контенту.



Приступаючи до роботи

Видаліть прозору захисну плівку з передньої панелі програвача, щоб забезпечити гарний вигляд програвача.

Забезпечте наявність достатнього простору навколо плеєра для належного охолодження. Простору на кожній стороні повинно бути не менше 10 см.

Переконайтеся, що ПДК має батареї.

Підключіть програвач до телевізора та іншого A/V обладнання належним чином. Використовуйте з'єднання HDMI для отримання найкращої якості відео та аудіо. Переконайтеся в тому, що плеєр та все відповідне A/V устаткування вимкнене, перш ніж його підключати. Переконайтеся, що ваш ТВ та інше аудіо/відео устаткування налаштовано на використання належних входів.

Увімкніть плеєр. Плеєр виконуватиме свої первинні процедури завантаження, що може зайняти до 1 хвилини. Під час завантаження, логотип "DUNE" відображається на екрані телевізора.

- Якщо ви не бачите логотип "DUNE" на екрані телевізора коли вмикаєте плеєр, то це може означати деякі проблеми з'єднання між плеєром і телевізором або те, що на вашому ТВ або A/V ресівері обраний невірний відеовихід. У такому разі ще раз перевірте кабель та налаштування телевізора або ресівера, або спробуйте використовувати різні кабелі чи інший спосіб підключення плеєра до телевізора.
- Якщо ви бачите "DUNE" логотип на екрані телевізора, коли ви включаєте плеєр, але картина зникає і ніякий інший малюнок не з'являється протягом хоча б 10 секунд, це може означати, що налаштований неправильний відеовихід у програвачі. У такому випадку, натисніть кнопку ПДК "MODE", а потім натисніть одну з кнопок ПДК "1", "2", "3", "4" або "5" щоб переключитися на інший режим виводу відео (див. "Швидке налаштування режиму відеовиходу").

Нарешті, ви побачите головний екран меню плеєра. Основний екран показує елементи, що дозволяють використовувати різні функції плеєра і отримати доступ до всіх пристроїв зберігання даних та мережевих дисків, підключених до плеєра.

Відрегулюйте налаштування програвача (за необхідністю) використовуючи пункт "Налаштування" на основному екрані меню плеєра (або, натиснувши кнопку ПДК "SETUP"). Зокрема, ви можете налаштувати параметри відео, параметри аудіо і параметри мережі.

Щоб обрати мову меню плеєра, використовуйте **"Setup / General / Interface language"**.

Використовуйте кнопки пульта **"LEFT", "RIGHT", "UP", "DOWN", "ENTER", "RETURN"** для навігації по меню плеєра. Використовуйте кнопку ПДК **"MENU"** для відображення списку доступних команд. За допомогою кнопки ПДК **"INFO"** Ви побачите інформацію про вибраний об'єкт.

Швидке налаштування режиму відео виходу

Кнопка ПДК **"MODE"** дозволяє швидко налаштувати режим відеовиходу, не заходячи в меню налаштувань плеєра. Конфігурація відеовиходу саме таким чином можливо необхідна у разі, якщо Ви не побачите зображення після підключення плеєра до вашого ТВ.

Натисніть кнопку ПДК **"MODE"**, а потім одну з кнопок **"1", "2", "3", "4"** або **"5"**, щоб перейти на один з наступних режимів відеовиходу, відповідно:

1. Composite/Component, PAL
2. Composite/Component, NTSC
3. HDMI, 480i, 60 Гц
4. HDMI, 720p, 60 Гц
5. HDMI, 1080i, 60 Гц

Після того, як ви побачили зображення на телевізорі, натисніть кнопку ПДК **"ENTER"**, а потім перейдіть в меню налаштувань плеєра, щоб провести більш точну конфігурацію режиму відеовиходу, якщо потрібно.

ПРИМІТКА: Процедура швидкого встановлення режиму відеовиходу не може бути використана під час відтворення. Для того, щоб упевнитись, що ця процедура може бути використана, вимкніть та увімкніть програвач, і чекайте близько 1 хвилини, щоб забезпечити плеєру час для завантаження.

Підключення USB-накопичувачів

Для підключення USB-накопичувача, переконайтеся, що Ви знаходитесь на основному екрані меню плеєра, і підключіть до USB-накопичувач до порту USB плеєра. Плеєр визнає USB-накопичувач, і відобразить відповідний пункт USB-накопичувача на головному екрані.

При підключенні USB-накопичувачів, що потребують значного використання електроенергії (такі як USB HDD), використовуйте зовнішні джерела живлення для USB-накопичувачів. Електроенергії, що надається USB-портами плеєра може виявитися недостатньо для коректного функціонування USB-накопичувачів.

Не від'єднуйте або вимикайте USB-накопичувач, коли деякі операції запису в прогресі.

Підключення дисків eSATA

Для підключення eSATA диска, вимкніть диск eSATA та плеєр, підключіть диск eSATA до порту eSATA плеєра (та підключіть диск eSATA до його блоку живлення), ввімкніть диск eSATA, та ввімкніть плеєр. Плеєр впізнає диск eSATA та відобразить відповідний пункт диска eSATA на основному екрані меню плеєра.

Вимкніть та від'єднайте диск eSATA тільки після виключення плеєра.

Форматування жорсткого диска

Щоб відформатувати жорсткий диск, який додається до плеєра, оберіть диск на головному екрані меню плеєра, натисніть кнопку ПДК "INFO" та оберіть "Форматувати Диск" (форматувати весь диск) або "Форматувати Розділ" (або форматувати вже існуючий розділ диска тільки). Плеєр відформатує диск, використовуючи файловою систему "EXT2".

ПРИМІТКА: Щоб використовувати диски відформатовані плеєром на ПК з Windows, може знадобитися встановлення додаткового програмного забезпечення на ПК, такого, як «EXT2FSD» (<http://www.ext2fsd.com/>).

Приступаючи до мережевих дисків

Для підключення мережного диска за допомогою протоколів SMB і NFS, переконайтеся, що Ви знаходитесь на головному екрані меню плеєра, натисніть клавішу ПДК "MENU", та оберіть "Створити мережеву папку", потім заповніть параметри мережевого диска за мірою необхідності. Плеєр буде відображати відповідний пункт налаштованого мережевого диска на головному екрані.

Щоб переглянути список мережевих ресурсів, доступних через протоколи SMB і UPnP, використовуйте пункт "Мережевий Браузер" на головному екрані меню плеєра.

ПРИМІТКА: Якщо деякі мережеві ресурси, не відображаються плеєром, почекайте кілька хвилин і повторіть спробу (або натисніть кнопку ПДК "MENU" та оберіть команду "Обновити").

Вимикання живлення та режим очікування

Щоб вимкнути плеєр повністю, перемкніть вимикач живлення на передній панелі. Після того як плеєр вимкнувся, рекомендується почекати близько 1 хвилини, перш ніж вмикати його знову.

ПРИМІТКА: Не вимикайте плеєр, якщо підключене до нього зовнішнє обладнання знаходиться у роботі, а деякі операції запису в прогресі.

Щоб поставити плеєр в режим очікування, натисніть кнопку ПДК "POWER". В режимі очікування, плеєр не подає ніякого сигналу на вивід, але продовжує функціонувати. Наприклад, якщо у вас є пристрій зберігання даних для плеєра, Ви всеодно можете отримати до нього доступ по мережі (функція "NAS" програвача). Для виходу з режиму очікування, натисніть кнопку ПДК "POWER" ще раз. Вихід з режиму очікування триває лише кілька секунд.

ПРИМІТКА: Коли плеєр знаходиться в режимі очікування, він все ще розходиться значну кількість електроенергії. Не радимо залишати плеєр в режимі очікування на довгий час, якщо в цьому немає по-

треби.

Крім того, ви можете налаштувати плеєр на повне вимикання після натискання кнопки ПДК "POWER" (див." Різні / Додатково / кнопка ПДК POWER "в меню налаштувань програвача).

NAS (Network Attached Storage - Підключений до Мережі Накопичувач)

Ви можете отримати доступ до накопичувачів, підключених до плеєра з локальної мережі і протоколів FTP та SMB. На ПК з Windows, просто наберіть "ftp://ip_address" або "\\ip_address" у Windows explorer, де "ip_address" є IP адреса плеєра.

WiFi

Ви можете використовувати USB WiFi адаптер для підключення плеєра до локальної мережі через WiFi.

Ознайомтеся з інформацією про USB адаптери WiFi, які підтримуються:
http://dune-hd.com/support/hw_compat/.

Обмеження

Робота плеєра з конкретною апаратурою (A/V обладнання, мережеве обладнання, диски і т.д.) може залежати від різних факторів (конкретної моделі устаткування, специфіки встановленого обладнання та його використання, налаштувань програвача та апаратних засобів, і т.д.). Якщо плеєр не може правильно працювати з конкретною апаратурою, спробуйте налаштувати плеєр або апаратне забезпечення, спробуйте використовувати устаткування по-іншому, або спробуйте використовувати деякі інші апаратні засоби.

Сумісність плеєра з деяким медіаконтентом (файли, диски і т.д.) може залежати від різних факторів (специфіки вигляду медіаконтенту, особливостей конфігурації плеєра і т.д.). Якщо плеєр неправильно відтворює зміст певного медіаконтенту, спробуйте налаштувати плеєр, або намагайтеся використовувати медіаконтент в іншому форматі.

Оновлення Плеєра і Отримання Більш Докладної Інформації

Будь ласка, перевірте тут оновлення версій прошивки плеєра (які можуть покращити функціонування плеєра і розширити його можливості: <http://dune-hd.com/firmware/>).

Будь ласка, зайдіть сюди для більш докладної та нової інформації і документації та інформації щодо використання плеєра: <http://dune-hd.com/manuals/>, <http://dune-hd.com/support/>.

(Notes)



H*D*iDUNE

www.Dune-HD.com